

# Technical Data Sheet

CODE 12103

## VORT PENTA HCS

Centralised continuous ventilation unit



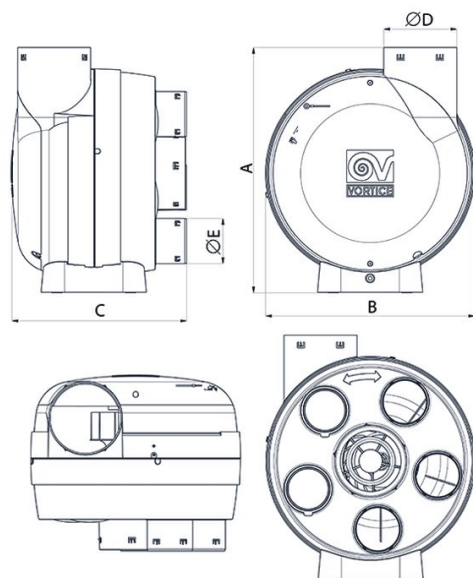
•æŠ-“ńŕß-“Ūî;



### TECHNICAL AND PERFORMANCE DATA

Absorbed power 1st speed (W)	21	Weight (Kg)	4,4
Frequency (Hz)	50	Delivery 1st speed (l/s)	59.9
Insulation Class	II°	Delivery 1st speed (m³/h)	205
IP	X4	Max delivery at max speed (l/s)	94.4
Max ambient temperature for continuous operation (°C)	40	Max delivery at max speed (m³/h)	340
Max. absorbed Current at max. speed (A)	0.34	Pressure - 1st speed (mmH2O)	24.4
Max. absorbed Current at min. speed (A)	0.19	Pressure - 1st speed (Pa)	240.1
Max. absorbed power at max speed (W)	73	Pressure max - max speed (mmH2O)	43
Nominal Diameter (mm)	125	Pressure max - max speed (Pa)	421.9
Number of speeds	3	RPM max	2160
Voltage (V)	230	RPM min	1245
		Sound power level Lw [dB(A)]	31.9

### DIMENSIONS



Size A (mm)	420
Size B (mm)	Ø 358
Size C (mm)	300
Size D (mm)	Ø 125
Size E (mm)	Ø 77.5

#### PER INFORMAZIONI:

Servizio al Cliente: tel +39 02 90699395 premendo 1 dopo messaggio registrato (consulenza su prodotti e impianti)

Pre & Post Vendita: fax +39 02 90699302

Email prevendita: [prevendita@vortice-italy.com](mailto:prevendita@vortice-italy.com)

# Technical Data Sheet

CODE 12103

## VORT PENTA HCS

Centralised continuous ventilation unit

---



### DESCRIPTION

### ACCESSORIES



REGOLATORE

**30**

Code 22325



REGOLATORE

**15**

Code 22324

#### PER INFORMAZIONI:

Servizio al Cliente: tel +39 02 90699395 premendo 1 dopo messaggio registrato (consulenza su prodotti e impianti)

Pre & Post Vendita: fax +39 02 90699302

Email prevendita: [prevendita@vortice-italy.com](mailto:prevendita@vortice-italy.com)