

Monsoon Energysaver MON-MEV

Features & Benefits

- Reduces your carbon footprint
- Fitted with four extract 100 or 125mm diameter spigots allowing quick connection to ducts
- Option of wall, ceiling and loft mounting
- Quiet running suitable for continuous operation
- Can extract from a few rooms, depending on the dwelling
- Wireless Controller available



The Monsoon MON-MEV continuous mechanical extract ventilation range is designed for the simultaneous ventilation of separate areas in the home or as a multipoint extractor system for a wide range of commercial applications.

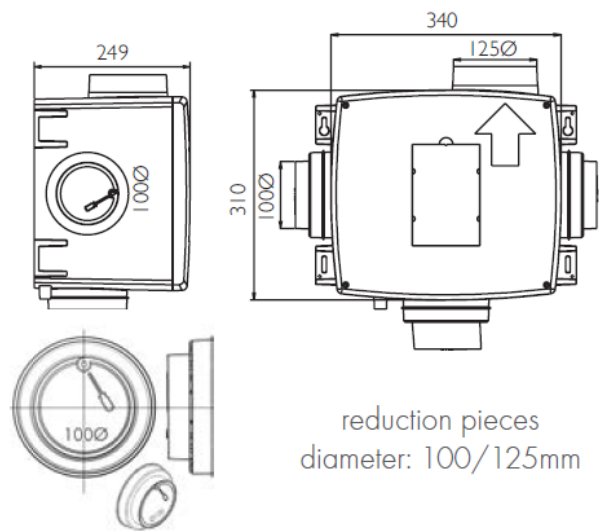
In the home the system is usually located in the loft or airing cupboard with ducts taken to the bathroom, utility room and toilets to removes air pollutants such as water vapour and odours.

The Monsoon MON-MEV Multivent is ideal for a range of commercial applications such as toilets, fitting rooms, and kiosk's. The units can be installed at any angle and where the ambient air has a high humidity content condensate drains are provided.

Technical Data

Low		Medium		High	
Current	Power	Current	Power	Current	Power
Amps	Watts	Amps	Watts	Amps	Watts
0.1	9	0.23	20	0.39	44

Dimensions (mm)
Weight: 5.50kg



Performance Curve

