

Zehnder LPID100

Low profile induct fan for purge ventilation

Product data sheet

always the best climate



LPID100

The Zehnder LPID100 is a low profile induct 100 mm fan. It is ideal for residential applications where the habitable rooms are at risk of overheating, or require purge ventilation due to sealed windows on noise sensitive sites or within a AQMA (Air Quality Management Area).



Example control - sold separately



SDC1

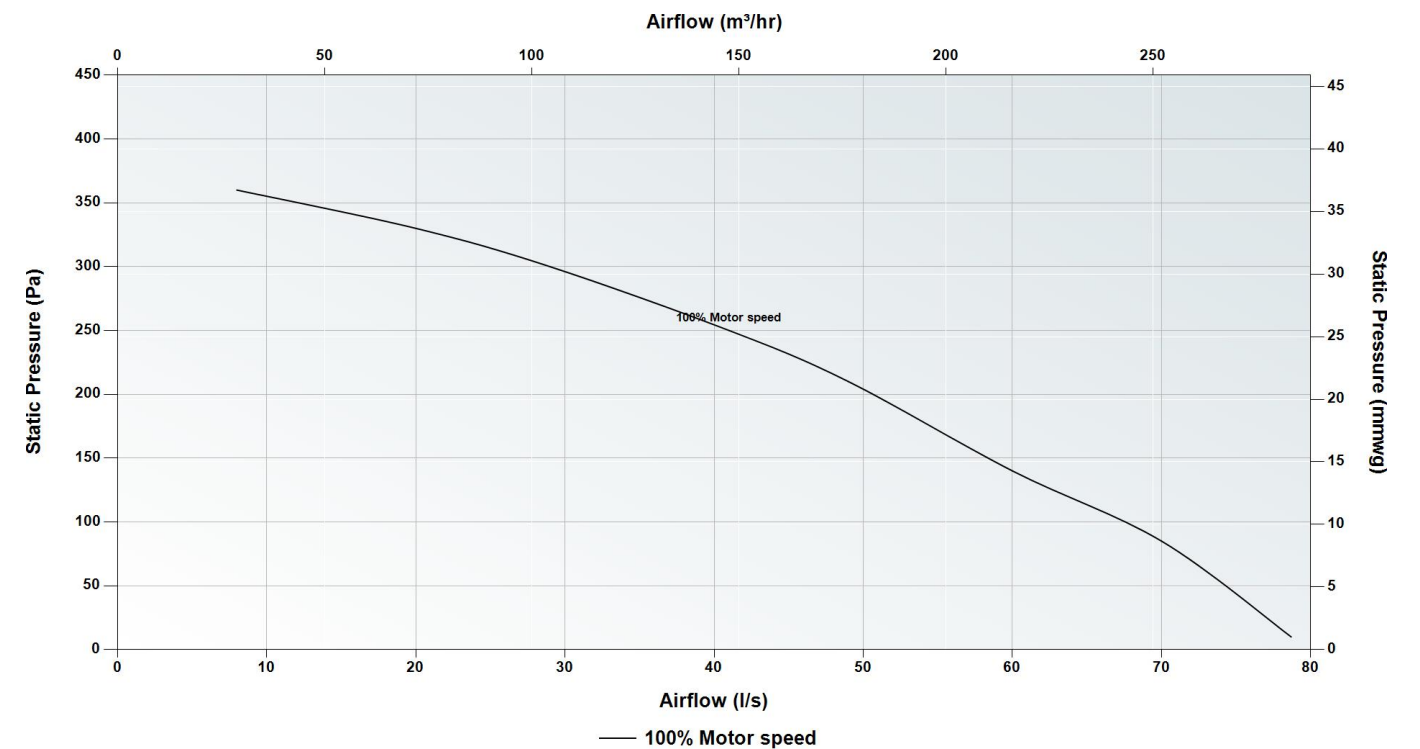
Key Benefits

- Designed to fit within a ceiling void, cupboard or loft space.
- 100% variable speed control via optional SDC1 controller.
- High speed only using switching by others without the need for SDC1 controller.
- Can be installed in any orientation, horizontal, vertical, on floor, wall or ceiling.
- 4 air changes an hour for rooms up to 15 m² per fan, large rooms can use multiple fans wired in parallel

Article Numbers

Description	Product Code
Unit Acoustic Induct fan, 100 mm	LPID100
Superduct controller, 1.5 amp	SDC1

Pressure Curve



Sound Data

Setting	Test area	Octave Band (Hz) Sound Power Level, dB								dB(A) @ 3 m
		63	125	250	500	1000	2000	4000	8000	
MAX	Inlet	80.2	76.1	71.6	66.2	57.0	53.8	48.0	45.1	
	Outlet	82.2	82.1	71.6	68.2	63.0	57.8	52.0	48.1	
	Environment	60.2	53.1	57.6	51.2	44.0	39.8	35.0	33.1	35.3

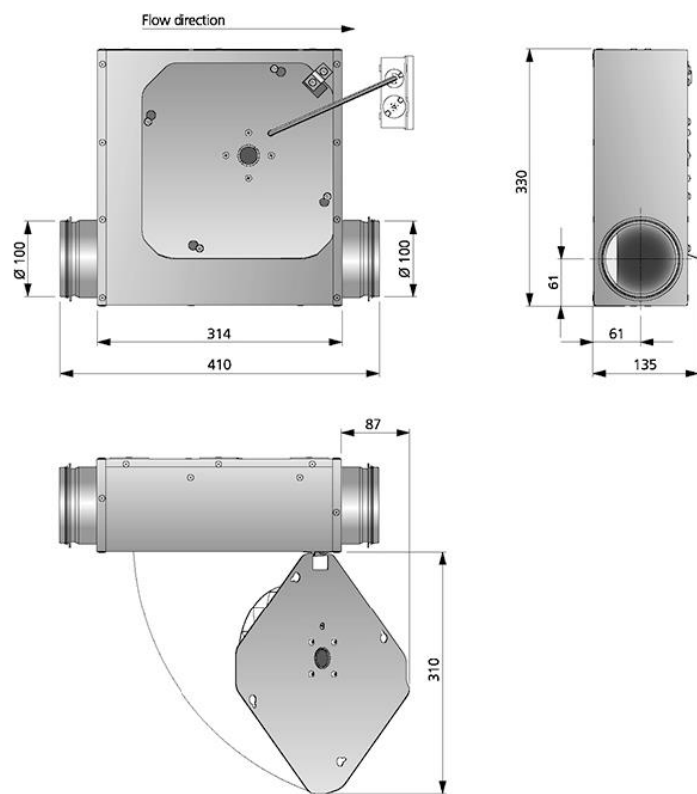
Casing tested according to [ISO 3741:2010](#). Inlet and Outlet tested according to [ISO 5136:2003](#) Acoustics-Determination of sound power radiated into a duct by fans and other air-moving devices - In-duct method. Environment dB(A) @ 3m given as hemispherical.

Technical Specification

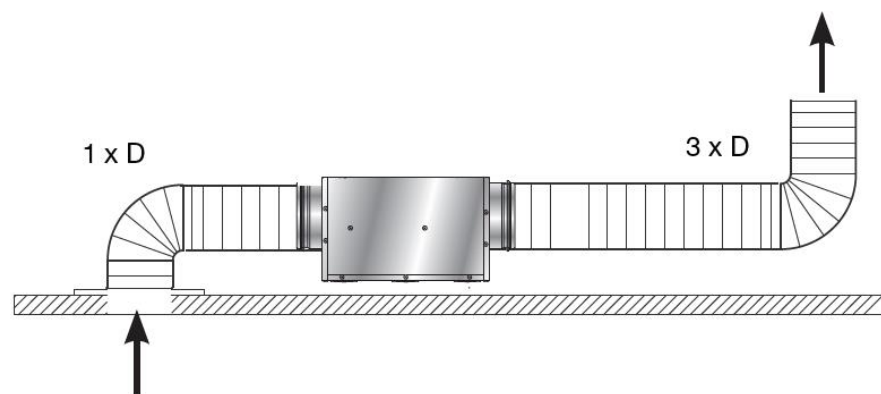
Weight	4.9 Kg
Materials	Galvanised sheet steel
Supply voltage	230 V / single-phase / 50Hz
Maximum power consumption	54 W
Current draw	0.25 A
Fuse rating	3 amp
Max Operating Temp	80°C
IP Rating	IP44
Mounting	Inline
Access for maintenance hatch	~450 x 330 mm

Dimensions

Height	135 mm
Width	410 mm
Depth	330 mm
Spigot diameter \varnothing	100 mm



Air Direction/Connection

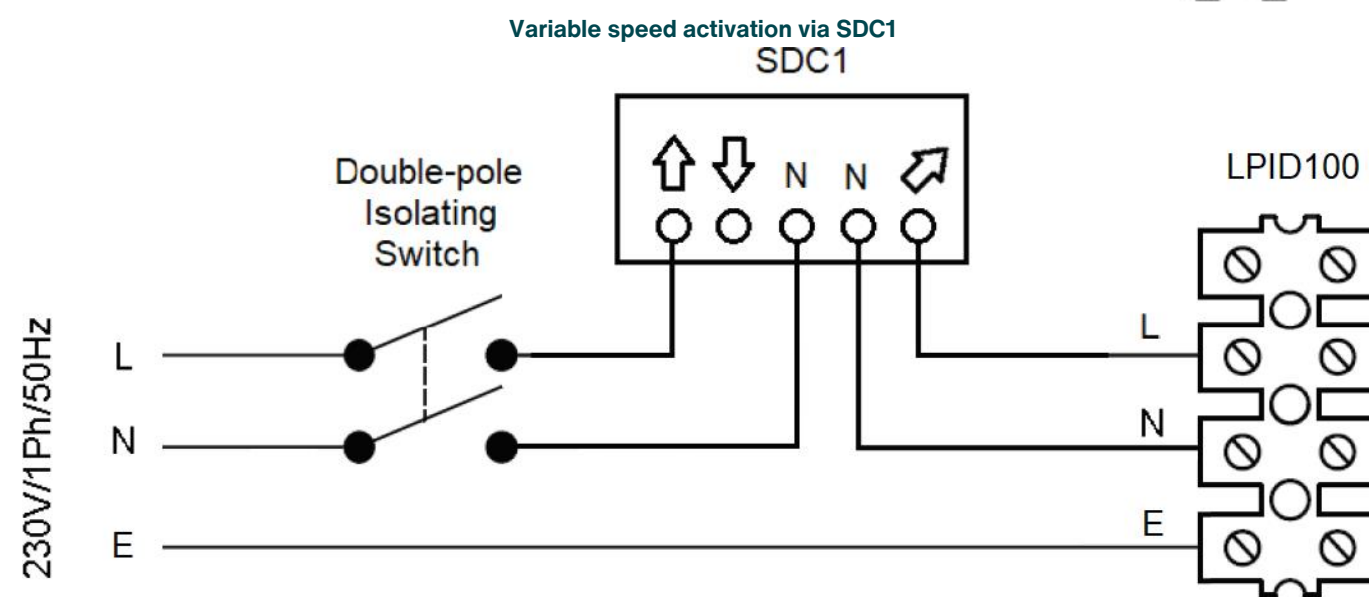
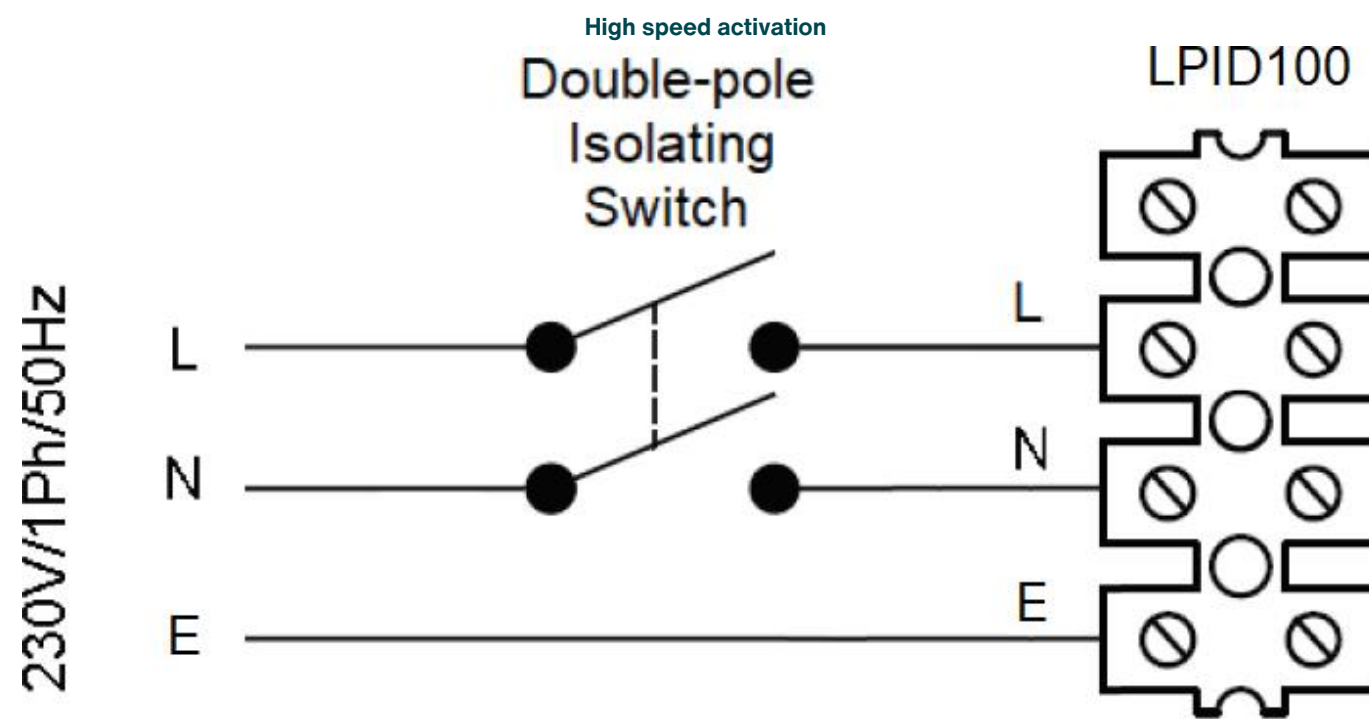


Arrow on the unit denotes airflow direction.

Ensure bends are 1 x Diameter away from the unit on air entering the unit and 3 x Diameter on air exiting the unit. It is recommended acoustic matting is used to limit vibration transfer.

Wiring

Electrical connections should be carried out in accordance to [IEE regulations](#) by a qualified electrician. The unit is supplied with a flying lead for connection to the mains supply.



Controls

SDC1

Product code: SDC1



The SDC1 is a variable speed controller designed for use with the AID100, LPID100 or SD fan range.

Key Benefits

- 100% variable motor speed selection in 1 controller

Technical Specification

Mounting options	Surface / Recessed
Supply voltage	Mains power - 230 V / single-phase / 50Hz
IP rating	IP44

Dimensions (recessed)

Height	82 mm
Width	82 mm
Depth	24 mm

Dimensions (surface mounted)

Height	82 mm
Width	82 mm
Depth	65 mm

For use with

Our range of acoustic trickle vents



[TO VIEW OUR ACOUSTIC VENT INFORMATION](#)

[CLICK HERE](#)

BIM/CAD Components

If you would like to download the BIM / CAD files for this or any other of our products then please visit our BIM library.

[TO VISIT OUR BIM/CAD LIBRARY](#)

[CLICK HERE](#)

Installation Instructions

If you would like to download the installation files for this or any other of our products then please visit our download page by clicking the link below.

[TO VISIT OUR DOWNLOAD PAGE](#)

[CLICK HERE](#)

Consultant Specification

Specification

The unit shall have single-phase motor with low energy demands on the ball bearings. It shall have overheat protection using the built-in

thermal switches and be IPX4 rated. The fan shall offer one fixed speed with an option to be 100% variable using additional controller. It

shall have versatile mounting options in any orientation and be for use in a temperatures not exceeding 80°C.