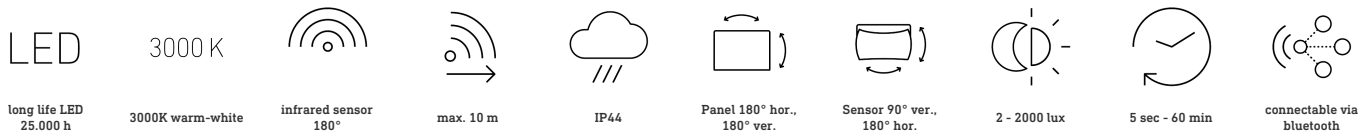


Sensor-switched LED floodlight

XLED home 2 SC

white
EAN 4007841 065454
Article number 065454



Function description

Top seller. Now even better. Sensor-switched outdoor floodlight XLED home 2 SC for even greater security and wireless control via Bluetooth and via app. Fully swivelling LED panel in classy opal look. For the most exacting of demands on design and maximum lighting convenience. 1550 lm from a power consumption of just 13,8 W. Swivelling precision IR sensor (horizontally: 180°, vertically: 90°). 180° angle of coverage, 10 m reach. High thermal conductivity magnesium composite cooling system (HCMC).

Technical specifications

Dimensions (L x W x H)	161 x 180 x 218 mm	Reach, radial	r = 5 m (39 m ²)
With lamp	Yes, STEINEL LED system	Reach, tangential	r = 10 m (157 m ²)
With motion detector	Yes	Photo-cell controller	Yes
Manufacturer's Warranty	5 years	Luminous flux total product	1550 lm
Settings via	Bluetooth	Measured luminous flux (360°)	1550 lm
Version	white	Colour temperature	3000 K
PU1, EAN	4007841065454	Colour variation LED	SDCM3
Application, place	Outdoors	Lamp	LED cannot be replaced
Application, room	outdoors, all round the building, terrace / balcony, courtyard & driveway	LED cooling system	HCMC (High Conductive Magnesium Composite)
Colour	white	Soft light start	No
Includes corner wall mount	No	Continuous light	selectable
Installation site	wall, corner	Functions	Group parameterisation, Manual ON / ON-OFF, Neighbouring group function, Master/slave override, Night economy mode, Timer
Installation	Surface wiring, corner, Wall	Twilight setting	2 – 2000 lx
Impact resistance	IK03	Time setting	5 s – 60 Min.
IP-rating	IP44		

<https://www.steinell.de>

Subject to technical modifications

03.2023 Page 1 from 3

Sensor-switched LED floodlight

XLED home 2 SC

white
EAN 4007841 065454
Article number 065454



Technical specifications

Protection class	II
Ambient temperature	-20 – 40 °C
Housing material	HCMC
Cover material	Plastic, opal
Mains power supply	220 – 240 V / 50 – 60 Hz
Mounting height max.	4,00 m
Sneak-by guard	Yes
Capability of masking out individual segments	Yes

Basic light level function	No
Twilight setting TEACH	Yes
Interconnection	Yes
Type of interconnection	Master/master, Master/slave
Interconnection via	Bluetooth
Output	13,8 W
Colour Rendering Index CRI	= 82
Optimum mounting height	2 m
Detection angle	180 °

Accessories

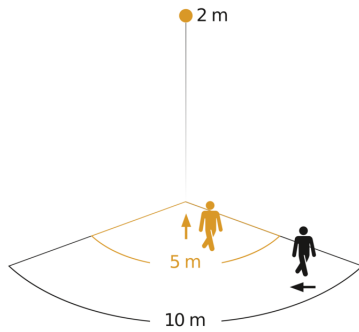
EAN 4007841 055875	Corner wall mount XLED home 2/ PRO 240
EAN 4007841 053086	Corner wall mount XLED Home 2/ Pro 240
EAN 4007841 055615	Corner wall mount XLED home 2/ PRO 240

XLED home 2 SC

white
 EAN 4007841 065454
 Article number 065454

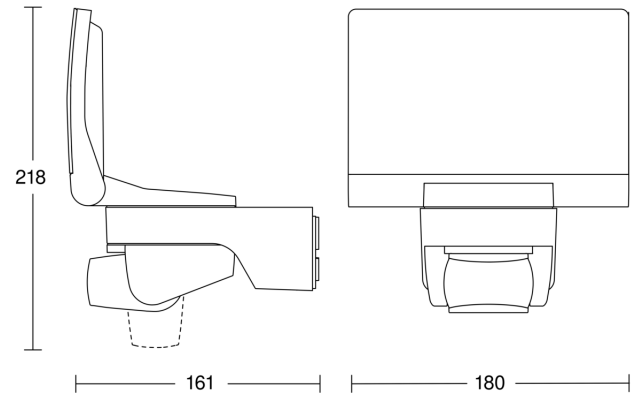


Detection Zone

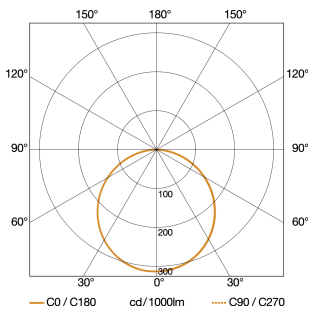


Possible mounting height: 1,80 m - 4,00 m
 Orange: radial
 Black: tangential

Dimension Drawing



Light Distribution Curve



Output	13,8 W
With lamp	Yes, STEINEL LED system
Lamp	LED cannot be replaced
Measured luminous flux (360°)	1550 lm
Colour temperature	3000 K
Colour Rendering Index	80-89
LED cooling system	HCMC (High Conductive Magnesium Composite)

Master/master interconnection circuit diagram

