

Sensor-switched LED floodlight

XLED home 2 SC

black
EAN 4007841 065447
Article number 065447



LED

long life LED
25.000 h

3000 K

3000K warm-white



infrared sensor
180°



max. 10 m



IP44



Panel 180° hor.,
180° ver.



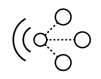
Sensor 90° ver.,
180° hor.



2 - 2000 lux



5 sec - 60 min



connectable via
bluetooth

Function description

Top seller. Now even better. Sensor-switched outdoor floodlight XLED home 2 SC for even greater security and wireless control via Bluetooth and via app. Fully swivelling LED panel in classy opal look. For the most exacting of demands on design and maximum lighting convenience. 1550 lm from a power consumption of just 13,8 W. Swivelling precision IR sensor (horizontally: 180°, vertically: 90°). 180° angle of coverage, 10 m reach. High thermal conductivity magnesium composite cooling system (HCMC).

Technical specifications

Dimensions (L x W x H)	161 x 180 x 218 mm	Reach, tangential	r = 10 m (157 m ²)
With lamp	Yes, STEINEL LED system	Photo-cell controller	Yes
With motion detector	Yes	Luminous flux total product	1550 lm
Manufacturer's Warranty	5 years	Measured luminous flux (360°)	1550 lm
Settings via	Bluetooth	Colour temperature	3000 K
Version	black	Colour variation LED	SDCM3
PU1, EAN	4007841065447	Lamp	LED cannot be replaced
Application, place	Outdoors	LED cooling system	HCMC (High Conductive Magnesium Composite)
Application, room	outdoors, all round the building, terrace / balcony, courtyard & driveway	Soft light start	No
Colour	black	Continuous light	selectable
Includes corner wall mount	No	Functions	Group parameterisation, Manual ON / ON-OFF, Neighbouring group function, Master/slave override, Night economy mode, Timer
Installation site	wall, corner	Twilight setting	2 – 2000 lx
Installation	Surface wiring, corner, Wall	Time setting	5 s – 60 Min.
Impact resistance	IK03	Basic light level function	No
IP-rating	IP44		

<https://www.steinell.de>

Subject to technical modifications

03.2023 Page 1 from 3

Sensor-switched LED floodlight

XLED home 2 SC

black
EAN 4007841 065447
Article number 065447



Technical specifications

Protection class	II	Twilight setting TEACH	Yes
Ambient temperature	-20 – 40 °C	Interconnection	Yes
Housing material	HCMC	Type of interconnection	Master/master, Master/slave
Cover material	Plastic, opal	Interconnection via	Bluetooth
Mains power supply	220 – 240 V / 50 – 60 Hz	Output	13,8 W
Mounting height max.	4,00 m	Colour Rendering Index CRI	= 82
Capability of masking out individual segments	Yes	Optimum mounting height	2 m
Reach, radial	r = 5 m (39 m ²)	Detection angle	180 °

Accessories

EAN 4007841 055875	Corner wall mount XLED home 2/ PRO 240
EAN 4007841 053086	Corner wall mount XLED Home 2/ Pro 240
EAN 4007841 055615	Corner wall mount XLED home 2/ PRO 240

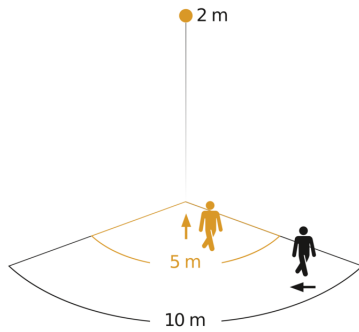
Sensor-switched LED floodlight

XLED home 2 SC

black
EAN 4007841 065447
Article number 065447

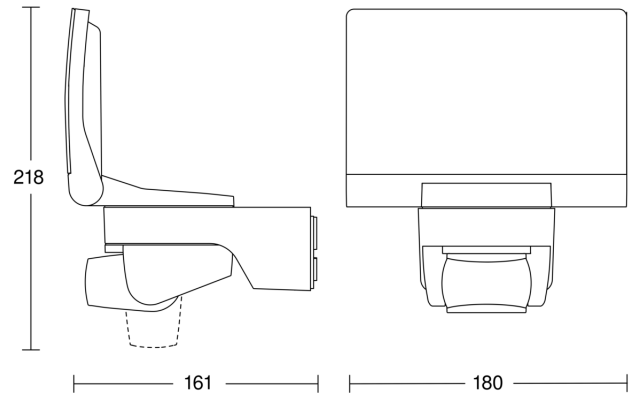


Detection Zone

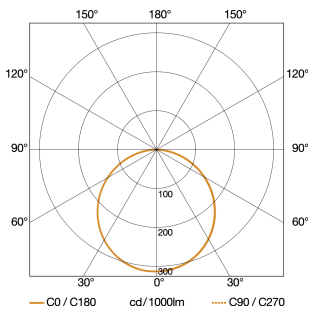


Possible mounting height: 1,80 m - 4,00 m
Orange: radial
Black: tangential

Dimension Drawing



Light Distribution Curve



Output	13,8 W
With lamp	Yes, STEINEL LED system
Lamp	LED cannot be replaced
Measured luminous flux (360°)	1550 lm
Colour temperature	3000 K
Colour Rendering Index	80-89
LED cooling system	HCMC (High Conductive Magnesium Composite)

Master/master interconnection circuit diagram

