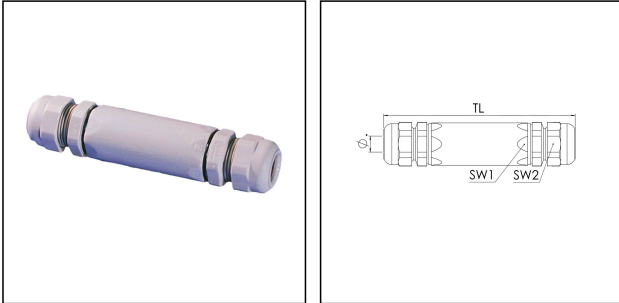


## 788/SKV 16

### Jointing sleeves



Product illustrations are exemplary and may differ from the chosen product. Further variants and individual customization, we will gladly provide you on request.



<b>Material</b>	Polystyrole, flame-retardant
<b>Material cable gland</b>	Polyamide
<b>Temp. range min</b>	-25 °C
<b>Temp. range max</b>	60 °C
<b>Protection class</b>	IP68 (5 bar 30 min)
<b>Glow wire test</b>	750 °C
<b>Terminals/poles</b>	5 x 2,5 mm <sup>2</sup>
<b>Ø cable diameter min</b>	8 mm
<b>Ø cable diameter max</b>	14 mm
<b>Key width SW1</b>	26 mm
<b>Key width SW2</b>	27 mm
<b>Total length TL</b>	134 mm
<b>Order no. RAL 7035</b>	10061462
<b>Type</b>	788/SKV 16
<b>Packing unit</b>	15
<b>ETIM-Classification</b>	EC001169

26.10.2016

