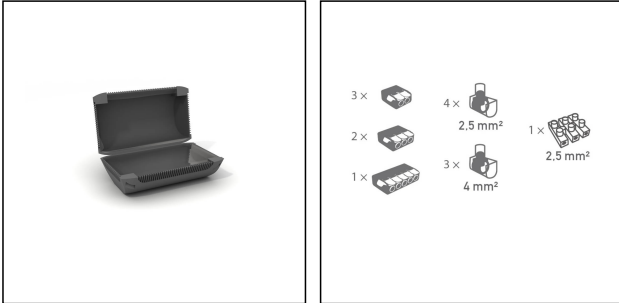


## MiniBox 3



Products may differ in size, colour and appearance to those shown. If you require further information or customisation, please contact us directly.

|                                  |                    |
|----------------------------------|--------------------|
| <b>Temp. range min</b>           | -20 °C             |
| <b>Temp. range max</b>           | 90 °C              |
| <b>Protection class</b>          | IPX8               |
| <b>Glow wire test</b>            | self-extinguishing |
| <b>External dimensions LxWxH</b> | 32,8x56,9x22mm     |
| <b>Type</b>                      | MiniBox 3          |
| <b>UK-Number</b>                 | MBX03              |
| <b>WISKA-Order no.</b>           | 10110359           |
| <b>Packing unit</b>              | 1                  |

Remarks:



- terminals / connectors NOT include

24.10.2023

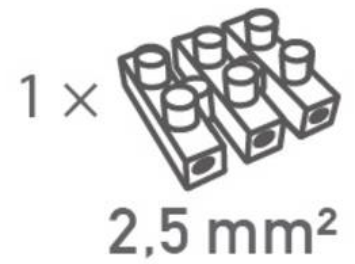
Your Contact:

**WISKA UK Ltd.**

Unit 7, Hurling Way · St. Columb Major Business Park · TR9 6SX, St. Columb Major, Cornwall · Great Britain

 +44-12-08816062 ·  +44-12-08816708

info@wiska.co.uk · www.wiska.co.uk



Your Contact:

**WISKA UK Ltd.**

Unit 7, Hurling Way · St. Columb Major Business Park · TR9 6SX, St. Columb Major, Cornwall · Great Britain

☎ +44-12-08816062 · 📠 +44-12-08816708

info@wiska.co.uk · www.wiska.co.uk