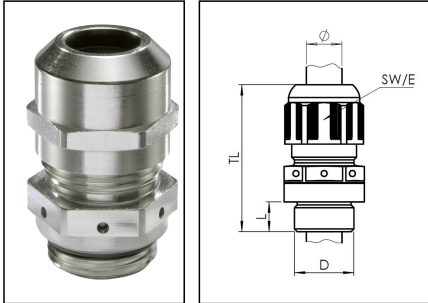


EMSVG 40 EMV-Z

EMC Pressure compensation cable gland, brass nickel-plated, M40



Products may differ in size, colour and appearance to those shown. If you require further information or customisation, please contact us directly.



Material cable gland	Brass nickel-plated
Material membrane	ePTFE
Material sealing gasket	EPDM
Material earthing insert	Brass chromium-plated
Airflow at 70mbar	150 l/h
Temp. range min	-40 °C
Temp. range max	100 °C
Protection class	IP68 / IP69
Thread type	M
Ø Connection thread D	40
Lead	1,5
Length screw-in thread L	8 mm
Ø cable diameter min	16 mm
Ø cable diameter max	28 mm
Ø cable below cable shield max	26 mm
Key width SW	46 mm
Collar diameter (E)	51 mm
Install. torques fitting	20 N m
Install. torques cap nut	20 N m
Total length TL	57 mm - 70 mm
Order no. nickel-plated	10065909
Type	EMSVG 40 EMV-Z
Packing unit	1
EAN number	4007685659093
Tariff number	85369010

Your Contact:

WISKA Hoppmann GmbH

Kisdorfer Weg 28 · 24568 Kaltenkirchen · Germany

☎ +49-4191-508-0 · 📠 +49-4191-508-209

contact@wiska.de · www.wiska.com

ETIM-Classification

EC000441

Recommended accessories



RDE 40	10062187
EMMU-EMV 40	10063215
BS 28	10064016

23.10.2023

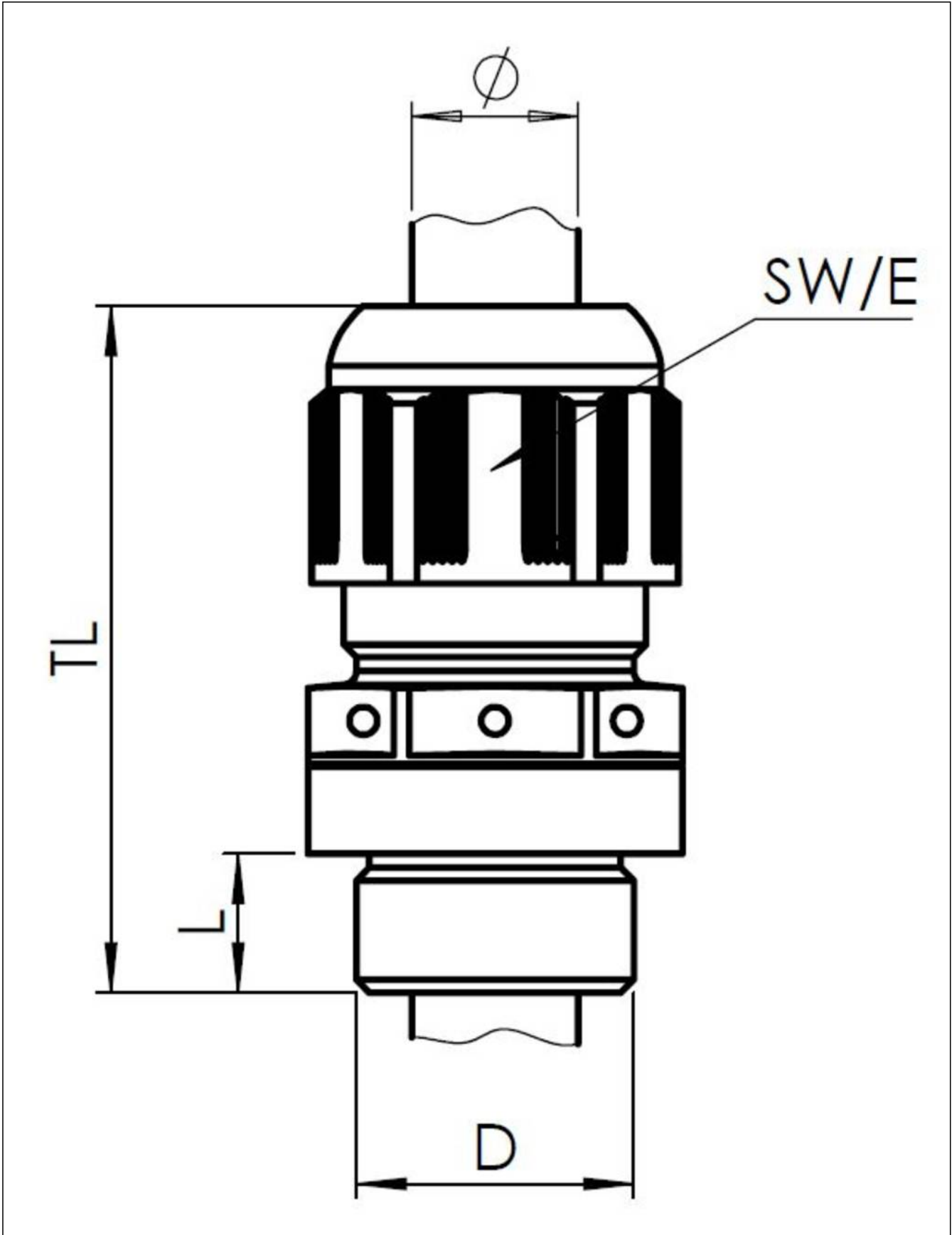
Your Contact:

WISKA Hoppmann GmbH

Kisdorfer Weg 28 · 24568 Kaltenkirchen · Germany

 +49-4191-508-0 ·  +49-4191-508-209

contact@wiska.de · www.wiska.com



Your Contact:
WISKA Hoppmann GmbH
Kisdorfer Weg 28 · 24568 Kaltenkirchen · Germany
☎ +49-4191-508-0 · 📠 +49-4191-508-209
contact@wiska.de · www.wiska.com

Other technical data on request / subject to change without notice