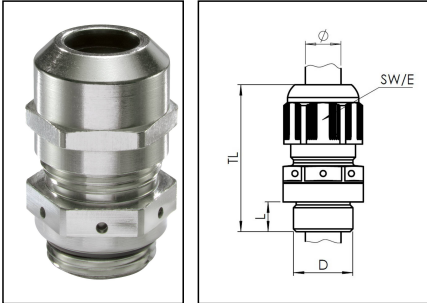


## EMSVG 32 EMV-Z

EMC Pressure compensation cable gland, brass nickel-plated, M32



Products may differ in size, colour and appearance to those shown. If you require further information or customisation, please contact us directly.



<b>Material cable gland</b>	Brass nickel-plated
<b>Material membrane</b>	ePTFE
<b>Material sealing gasket</b>	EPDM
<b>Material earthing insert</b>	Brass chromium-plated
<b>Airflow at 70mbar</b>	115 l/h
<b>Temp. range min</b>	-40 °C
<b>Temp. range max</b>	100 °C
<b>Protection class</b>	IP68 / IP69
<b>Thread type</b>	M
<b>Ø Connection thread D</b>	32
<b>Lead</b>	1,5
<b>Length screw-in thread L</b>	8 mm
<b>Ø cable diameter min</b>	13 mm
<b>Ø cable diameter max</b>	21 mm
<b>Ø cable below cable shield max</b>	20 mm
<b>Key width SW</b>	36 mm
<b>Collar diameter (E)</b>	40 mm
<b>Install. torques fitting</b>	20 N m
<b>Install. torques cap nut</b>	20 N m
<b>Total length TL</b>	47 mm - 56 mm
<b>Order no. nickel-plated</b>	10065908
<b>Type</b>	EMSVG 32 EMV-Z
<b>Packing unit</b>	1
<b>EAN number</b>	4007685659086
<b>Tariff number</b>	85369010

Your Contact:

WISKA Hoppmann GmbH

Kisdorfer Weg 28 · 24568 Kaltenkirchen · Germany

☎ +49-4191-508-0 · 📠 +49-4191-508-209

contact@wiska.de · www.wiska.com

ETIM-Classification

EC000441

**Recommended accessories**



<b>RDE 32</b>	10062186
<b>EMMU-EMV 32</b>	10063214
<b>BS 21</b>	10064014

23.10.2023

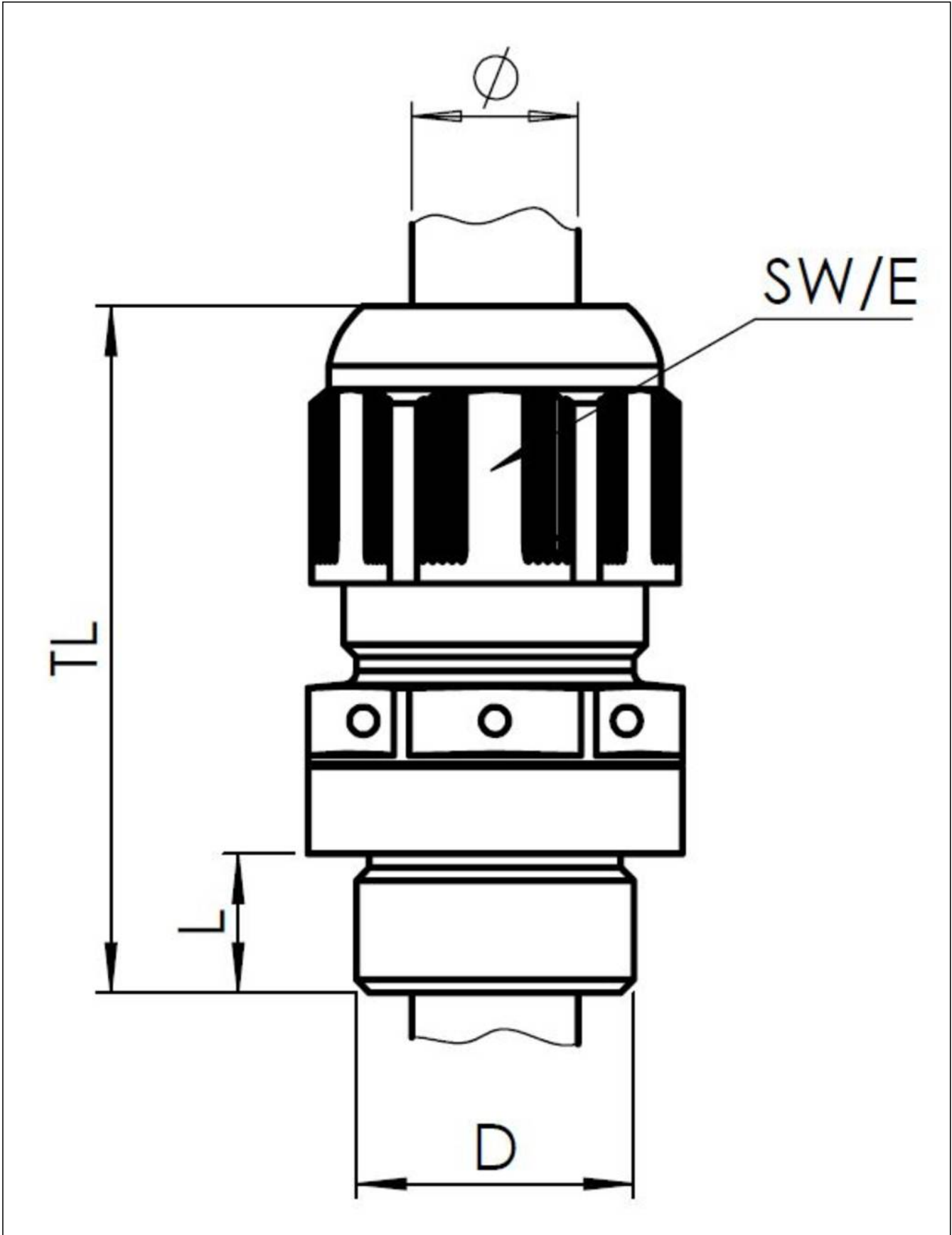
Your Contact:

**WISKA Hoppmann GmbH**

Kisdorfer Weg 28 · 24568 Kaltenkirchen · Germany

 +49-4191-508-0 ·  +49-4191-508-209

contact@wiska.de · www.wiska.com



Your Contact:  
WISKA Hoppmann GmbH  
Kisdorfer Weg 28 · 24568 Kaltenkirchen · Germany  
☎ +49-4191-508-0 · 📠 +49-4191-508-209  
contact@wiska.de · www.wiska.com