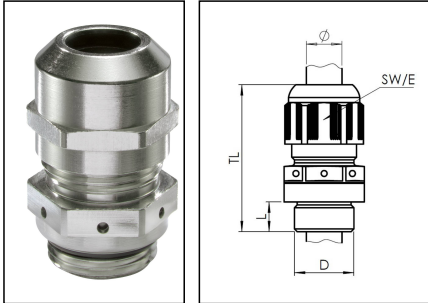


EMSVG 16 EMV-Z

EMC Pressure compensation cable gland, brass nickel-plated, M16



Products may differ in size, colour and appearance to those shown. If you require further information or customisation, please contact us directly.



Material cable gland	Brass nickel-plated
Material membrane	ePTFE
Material sealing gasket	EPDM
Material earthing insert	Brass chromium-plated
Airflow at 70mbar	52 l/h
Temp. range min	-40 °C
Temp. range max	100 °C
Protection class	IP68 / IP69
Thread type	M
Ø Connection thread D	16
Lead	1,5
Length screw-in thread L	6 mm
Ø cable diameter min	4,5 mm
Ø cable diameter max	10 mm
Ø cable below cable shield max	7,5 mm
Key width SW	20 mm
Collar diameter (E)	22 mm
Install. torques fitting	4 N m
Install. torques cap nut	4 N m
Total length TL	34 mm - 42 mm
Order no. nickel-plated	10065994
Type	EMSVG 16 EMV-Z
Packing unit	1
EAN number	4007685659949
Tariff number	85369010

Your Contact:

WISKA Hoppmann GmbH

Kisdorfer Weg 28 · 24568 Kaltenkirchen · Germany

☎ +49-4191-508-0 · 📠 +49-4191-508-209

contact@wiska.de · www.wiska.com

ETIM-Classification

EC000441

Recommended accessories

RDE 16	10062184
EMMU-EMV 16	10063211
BS 10	10064008

23.10.2023

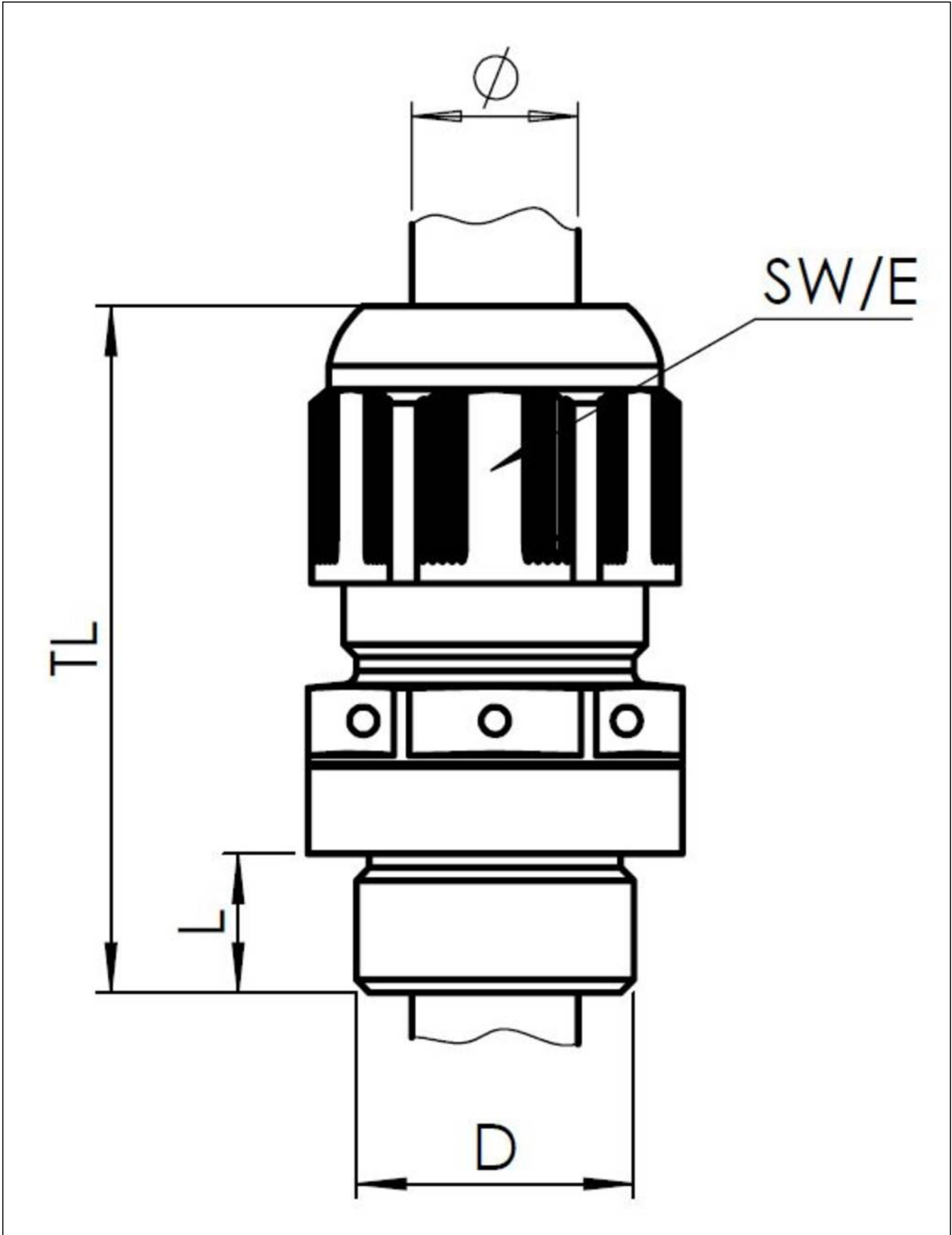
Your Contact:

WISKA Hoppmann GmbH

Kisdorfer Weg 28 · 24568 Kaltenkirchen · Germany

☎ +49-4191-508-0 · 📠 +49-4191-508-209

contact@wiska.de · www.wiska.com



Your Contact:
WISKA Hoppmann GmbH
Kisdorfer Weg 28 · 24568 Kaltenkirchen · Germany
☎ +49-4191-508-0 · 📠 +49-4191-508-209
contact@wiska.de · www.wiska.com