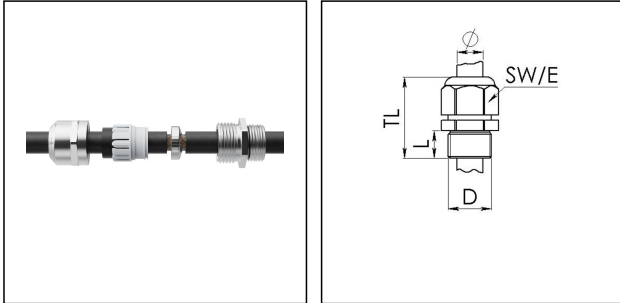


EMSKV-L 16 EMV-S

EMC-cable gland, brass nickel-plated with long thread, M16



Products may differ in size, colour and appearance to those shown. If you require further information or customisation, please contact us directly.



| | |
|---------------------------------|---------------------------|
| Material cable gland | Brass nickel-plated |
| Material sealing gasket | EPDM |
| Material clamping cage | Polyamide |
| Material earthing insert | Stainless steel 1.4310 |
| Temp. range min | -40 °C |
| Temp. range max | 100 °C |
| Protection class | IP68 (5 bar 30 min), IP69 |
| Thread type | M |
| Ø Connection thread D | 16 |
| Lead | 1,5 |
| Length screw-in thread L | 12 mm |
| Ø cable diameter min | 4,5 mm |
| Ø cable diameter max | 10 mm |
| Cable Ø shield external | 3 mm - 9 mm |
| Key width SW | 20 mm |
| Collar diameter (E) | 22 mm |
| Total length TL | 33 mm - 41 mm |
| Type of cable anchorage | A |
| Install. torques cap nut | 4 N m |
| Install. torques fitting | 4 N m |
| Impact category | 6 |
| Surface | Nickel-plated |
| WISKA-Order no. | 10102646 |
| Type | EMSKV-L 16 EMV-S |
| Packing unit | 50 |

Your Contact:

WISKA Hoppmann GmbH

Kisdorfer Weg 28 · 24568 Kaltenkirchen · Germany

☎ +49-4191-508-0 · 📠 +49-4191-508-209

contact@wiska.de · www.wiska.com

| | |
|----------------------|---------------|
| Tariff number | 74198090 |
| EAN number | 4007685063005 |

Recommended accessories

| | |
|--------------------|----------|
| RDE 16 | 10062184 |
| EMMU-EMV 16 | 10063211 |
| BS 10 | 10064008 |

20.10.2023

Your Contact:

WISKA Hoppmann GmbH

Kisdorfer Weg 28 · 24568 Kaltenkirchen · Germany

☎ +49-4191-508-0 · 📠 +49-4191-508-209

contact@wiska.de · www.wiska.com



Your Contact:

WISKA Hoppmann GmbH

Kisdorfer Weg 28 · 24568 Kaltenkirchen · Germany

☎ +49-4191-508-0 · 📠 +49-4191-508-209

contact@wiska.de · www.wiska.com