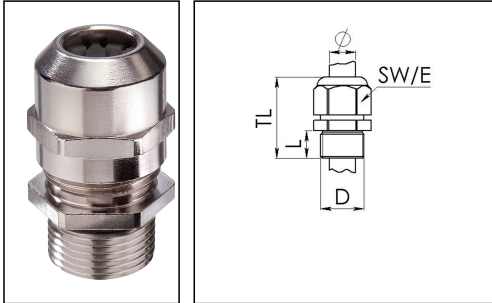


EMSKV-L 12 LT

Cable gland LowTemp, brass nickel-plated, M12, with long thread



Products may differ in size, colour and appearance to those shown. If you require further information or customisation, please contact us directly.



| | |
|---------------------------------|---------------------------|
| Material cable gland | Brass nickel-plated |
| Material clamping cage | Polyamide |
| Material sealing gasket | Silicone |
| Temp. range min | -60 °C |
| Temp. range max | 100 °C |
| Protection class | IP69, IP68 (5 bar 30 min) |
| Thread type | M |
| Ø Connection thread D | 12 |
| Lead | 1,5 |
| Length screw-in thread L | 12 mm |
| Ø cable diameter min | 3 mm |
| Ø cable diameter max | 7 mm |
| Key width SW | 16 mm |
| Collar diameter (E) | 18 mm |
| Total length TL | 30 mm - 37 mm |
| Type of cable anchorage | A |
| Install. torques fitting | 4 N m |
| Install. torques cap nut | 4 N m |
| Impact category | 6 |
| Surface | Nickel-plated |
| Order no. nickel-plated | 10065808 |
| Packing unit | 50 |
| Type | EMSKV-L 12 LT |
| Tariff number | 74198090 |
| EAN number | 4007685658089 |

Your Contact:

WISKA Hoppmann GmbH

Kisdorfer Weg 28 · 24568 Kaltenkirchen · Germany

☎ +49-4191-508-0 · 📠 +49-4191-508-209

contact@wiska.de · www.wiska.com

ETIM-Classification

EC000441

Recommended accessories

| | |
|------------------|----------|
| EMMU 12 | 10063141 |
| RDE 12 LT | 10063981 |
| BS 7 | 10064005 |

20.10.2023

Your Contact:

WISKA Hoppmann GmbH

Kisdorfer Weg 28 · 24568 Kaltenkirchen · Germany

☎ +49-4191-508-0 · 📠 +49-4191-508-209

contact@wiska.de · www.wiska.com



Your Contact:

WISKA Hoppmann GmbH

Kisdorfer Weg 28 · 24568 Kaltenkirchen · Germany

☎ +49-4191-508-0 · 📠 +49-4191-508-209

contact@wiska.de · www.wiska.com