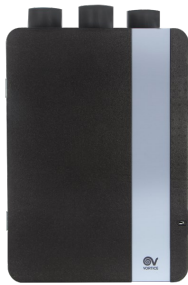


Technical Data Sheet

CODE 11933

VORT HR 250 NETI UK



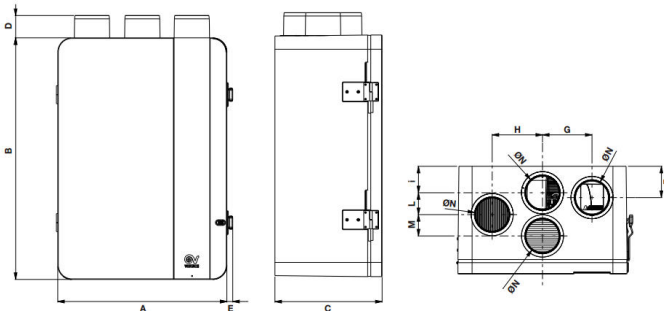
Certifications

bre SAP Q

TECHNICAL AND PERFORMANCE DATA

| | | | |
|---|------|--|------|
| Filter class | F5 | Breakout sound power LWA [dB(A)] | 60.9 |
| Frequency (Hz) | 50 | Breakout sound pressure at 3m at Max speed Lp [dB (A)] | 40.4 |
| Insulation class | I° | Max airflow (l/s) | 60 |
| IP | X2 | Max airflow (m ³ /h) | 220 |
| Max absorbed current (A) | 0,75 | Max pressure (mmH2O) | 55 |
| Max absorbed power (W) | 95 | Max pressure (Pa) | 540 |
| Max ambient temperature for continuous operation (°C) | 25 | Max thermal efficiency (%) | 90,5 |
| Max temperature of exhaust air (continuous operation) | 40 | Sound power at exhaust inlet LWA [dB(A)] | 46.2 |
| Min continuous operation room temperature (°C) | 5 | Sound power at supply outlet LWA [dB(A)] | 45.2 |
| Voltage (V) | 230 | Sound pressure at 3m at Max speed at extraction side Lp [dB (A)] | 25.7 |
| Weight (Kg) | 19 | Sound pressure at 3m at Max speed at supply side Lp [dB (A)] | 24.7 |

DIMENSIONS



| | |
|-------------|-------|
| Size A (mm) | 598 |
| Size B (mm) | 850 |
| Size C (mm) | 380 |
| Size D (mm) | 80 |
| Size E (mm) | 21 |
| Size F (mm) | 110 |
| Size G (mm) | 175 |
| Size H (mm) | 178 |
| Size I (mm) | 93 |
| Size L (mm) | 77 |
| Size M (mm) | 75 |
| Size N (mm) | Ø 125 |

PER INFORMAZIONI / FOR INFORMATION

ITALY

Pre Sales:

prevendita@vortice-italy.com

After Sales:

postvendita@vortice-italy.com

UNITED KINGDOM & REP. OF

IRELAND

Sales Dept:

sales@vortice.ltd.uk

Technical Dept:

technical@vortice.ltd.uk

OTHER COUNTRIES

Sales Dept:

export@vortice-italy.com

After Sales:

after-sales@vortice-italy.com

Technical Data Sheet

CODE 11933

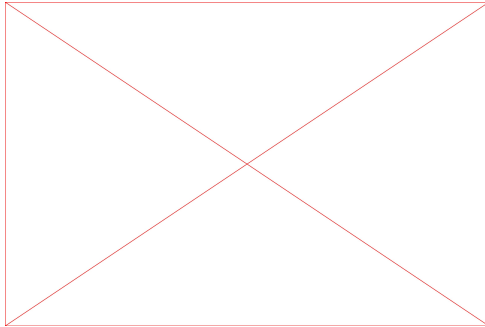
VORT HR 250 NETI UK



DESCRIPTION

- Plastic (PPE) enclosure
- Duct connection ports of nominal diameter 125 mm.
- 2 EC (brushless) motors with shaft turning in ball bearings, each coupled to a backward curved centrifugal impeller; 3 speeds, selectable independently at the moment of installation.
- Maximum air flow 220 m³/h.
- Very high-efficiency counter-flow heat exchanger in PS resin.
- Automatic, filtered 100% by-pass
- Integrated frost protection.
- 1 M5 filter on supply air, 1 G4 filter on extract air.
- Electronic control with wired LCD display.
- Brackets for wall-mounted installation.

CURVES



ACCESSORIES



C PIR

Code 12998

PER INFORMAZIONI / FOR INFORMATION

ITALY

Pre Sales:
prevendita@vortice-italy.com
After Sales:
postvendita@vortice-italy.com

UNITED KINGDOM & REP. OF IRELAND

Sales Dept:
sales@vortice.ltd.uk
Technical Dept:
technical@vortice.ltd.uk

OTHER COUNTRIES

Sales Dept:
export@vortice-italy.com
After Sales:
after-sales@vortice-italy.com