



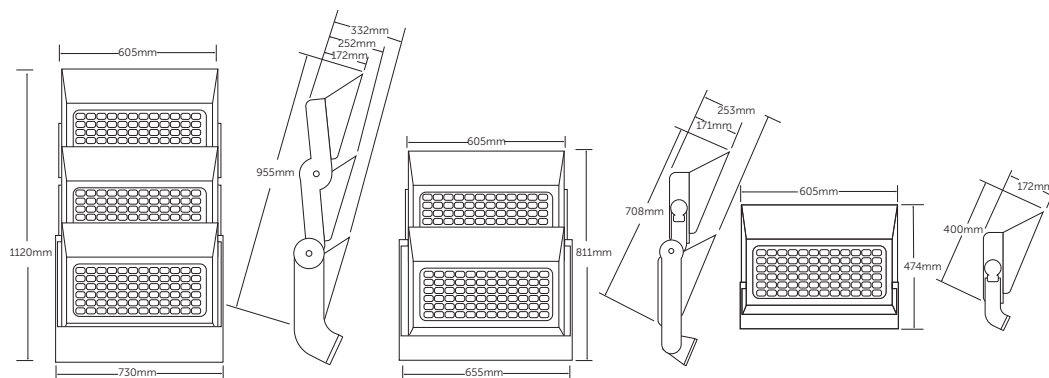
Images show optional ULR Shields

SkylinePowertron

Asymmetric LED Floodlight

The Skyline Powertron Asymmetric LED Floodlight is the highest lumen output floodlight ever produced by BELL. The black powder coated die cast aluminium construction gives an ultra-modern aesthetic combined with a staggering 260,000 lumen output (1800W). The rugged, robust construction of the Powertron makes this fitting ideal for external sports facilities open to the elements.

- 600/1200/1800W Modular Body Design
- Genuine replacement for 1000W/2000W Metal Halide Floodlights
- Up to 146 Lm/W
- IP66
- Fully adjustable angled mounting bracket
- Suitable for multiple row columns installation
- Angle markings on bracket for easy alignment
- Scope available on request for fine on site aiming
- Full cut-off horizontal asymmetric floodlight
- Low weight & windage
- Optional ULR Shields available for 0° upward light, glare and obstructive light reduction
- Remote driver box, can be mounted on ground level for easy maintenance



technical@belllighting.co.uk
 sales@belllighting.co.uk

Skyline Powertron

Asymmetric LED Floodlight

Technical Specification	
Construction	Black powder coated die cast aluminium (RAL 9017)
Driver	600W & 1200W UPowerTek / 1800W BELL
LED Chip	OSRAM 3737
IP Rating	IP66
Operating Temp	-30°C to +35°C
Controls	0-10V, DALI, DMX & PWM (special order)
Power Factor	> 0.9
CRI	70 - Exceeds EU standard of Ra70 for Colour Rendering Index
LMR	80 - Exceeds EU standard of 70 for Lumens Maintenance Ratio
Weight	With Driver: 600W 15.5Kg / 1200W 31.8Kg / 1800W 47.7Kg Without Driver: 600W 8.9Kg / 1200W 20.5Kg / 1800W 36.9Kg
Windage/EPA	600W 0.09m ² @ 0° 1200W 0.22m ² @ 0° 1800W 0.40m ² @ 0°

Code	V	W	Description	Lm (up to)	Peak Intensity (up to)	Temp	Lm/W (up to)	Hours
11330	180 - 440	600	Skyline Powertron Asymmetric LED Floodlight	85,000	1730 cd/klm @ 71°	4000K	142	100,000
11331	180 - 440	1200	Skyline Powertron Asymmetric LED Floodlight	170,000	1730 cd/klm @ 71°	4000K	145	100,000
11332	200 - 440	1800	Skyline Powertron Asymmetric LED Floodlight	260,000	1730 cd/klm @ 71°	4000K	146	100,000
11341	-	-	Deep Shield for above	-	-	-	-	-
11345	-	-	Shallow Shield for above	-	-	-	-	-
11346	-	-	Aiming Scope for above	-	-	-	-	-

Please note; if using shields order:

- 1 for 600W
- 2 for 1200W
- 3 for 1800W

¹ Exceeds EU standard of 70 for Lumens Maintenance Ratio

² Exceeds EU standard of RA 70 for Colour Rendering Index

³ Subject to terms & conditions (Contact Customer Service)

