

S22 / S22 Wi-Fi

Control panels

Features

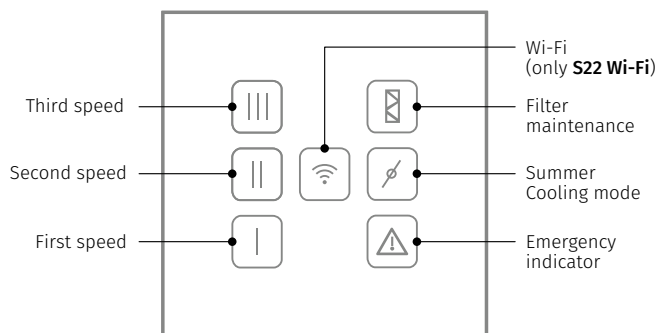
- The **S22 / S22 Wi-Fi** control panels are used for control of industrial and domestic air handling units with an **S21** automation system.



Design

- Casing made of high-quality plastic.
- Glass sensor operating panel with touch buttons with light indication.
- IP40 ingress protection rating.

Control panel functions



Technical data

Parameters	S22	S22 Wi-Fi
Voltage [V]	24	110–230/50 (60) Hz
Maximum current [A]	0.025	0.012
Cable type [mm ²]	4x0.25	2x0.35
Temperature range [°C]	+10...+45	+10...+45
Humidity range [%]	10–80 (no condensation)	10–80 (no condensation)
Casing material	Plastic	Plastic
Sensor surface material	Glass	Glass
SEC class	IP40	IP40
Weight [g]	190	190

Wi-Fi data

Standard	-	IEEE 802.11 b/g/n
Frequency band [GHz]	-	2.4
Transmission power [mW] (dBm)	-	100 (+20)
Network	-	DHCP
WLAN safety	-	WPA, WPA2

Installation and connection

- The **S22 / S22 Wi-Fi** control panels are suitable for flush and surface mounting.
- The delivery set includes mounting boxes for flush and surface mounting.
- Connection of the control panel is carried out according to the User's manual of the unit.

Overall dimensions [mm]

