

RI20 - ROTARY ISOLATORS

Material:

ABS Material (Moulded)
Flame Retardant

Compliance:

BSEN 60947 Compliant



OTHER ADDITIONAL INFORMATION

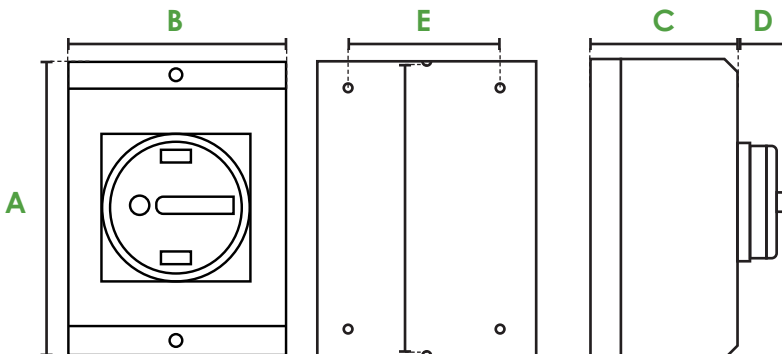
Ingress Protection: IP65

Easy access and switch removal, with a deep working space. Variable knockouts on 32 Amp and above.

Technical Specifications

Code	IEC / EN / VDE					
	Category No AC-21a Switching of resistance loads		Category No AC-23a Switching of motor loads		Category No AC-3a Start & shutdown during run	
	220-240V	380-440V	220-240V	380-440V	220-240V	380-440V
RI20	20A	20A	3Kw	5.5Kw	2Kw	3Kw
RIL20	20A	20A	3Kw	5.5Kw	2Kw	3Kw
RI25	25A	25A	4Kw	6.5Kw	3Kw	4Kw
RI32	32A	32A	5.5Kw	7.5Kw	4Kw	7.5Kw
RI40	40A	40A	8Kw	12Kw	8Kw	9.5Kw
RI63	63A	63A	11Kw	22Kw	11Kw	12.5Kw
RI100	100A	100A	22Kw	37Kw	18.5Kw	30Kw

Sizing Information



Code	Size mm					
	A	B	C	D	E	F
RI20	100	80	65	35	60	90
RIL20	125	100	85	35	60	115
RI25	125	100	85	35	60	115
RI32	125	100	85	35	60	115
RI40	175	114	100	35	60	165
RI63	175	114	100	35	60	165
RI100	240	160	120	45	142	193