

## Motion detector

# IS 130-2

white  
EAN 4007841 660314  
Article number 660314



infrared sensor  
130°



max. 12 m

600 W

600 W max. (LED-  
ready)



IP54



Sensor 90° ver.,  
50° hor.



2 - 2000 lux



8 sec - 35 min



Ideal 2 m



energy saving

3 years

manufacturer's  
warranty  
steinel.de/  
garantie3y

## Function description

Targeted detection all around the building. Infrared motion detector IS 130-2, for indoors and out, ideal for targeted detection close to the building, 130° angle of coverage, reach up to 12 m, selectable time and twilight threshold, sensor turns through 50° and tilts through 90° for exact adjustment of the detection zone.

## Technical specifications

Dimensions (L x W x H)	87 x 78 x 110 mm	LED lamps > 2 W < 8 W	64 W
Manufacturer's Warranty	3 years	LED lamps > 8 W	64 W
Settings via	Potentiometers	Capacitive load in µF	88 µF
With remote control	No	Technology, sensors	passive infrared, Light sensor
Version	white	Mounting height	1,80 – 3,00 m
PU1, EAN	4007841660314	Mounting height max.	3,00 m
Type	Motion detectors	Optimum mounting height	2 m
Application, place	Outdoors, Indoors	Detection angle	130 °
Application, room	outdoors, front door, all round the building, terrace / balcony, courtyard & driveway	Angle of aperture	40 °
Colour	white	Sneak-by guard	Yes
Colour, RAL	9010	Capability of masking out individual segments	Yes
Includes corner wall mount	No	Electronic scalability	No
Installation site	wall	Mechanical scalability	No
Installation	Surface wiring, Wall	Reach, radial	r = 3 m (10 m <sup>2</sup> )
IP-rating	IP54	Reach, tangential	r = 12 m (163 m <sup>2</sup> )
		Switching zones	260 switching zones

<https://www.steinel.de>

Subject to technical modifications

03.2023 Page 1 from 3

Motion detector

# IS 130-2

white  
EAN 4007841 660314  
Article number 660314



## Technical specifications

Ambient temperature	-20 – 50 °C
Material	Plastic
Mains power supply	230 – 240 V / 50 Hz
Switching output 1, resistive	600 W
Switching output 1, number of LEDs / fluorescent lamps	4 pcs.
Fluorescent lamps, electronic ballast	430 W
Fluorescent lamps, uncorrected	500 VA
Fluorescent lamps, series-corrected	500 VA
Fluorescent lamps, parallel-corrected	500 VA
Switching output 1, low-voltage halogen lamps	500 VA
LED lamps < 2 W	16 W

Twilight setting	2 – 2000 lx
Time setting	8 s – 35 Min.
Basic light level function	No
Main light adjustable	No
Twilight setting TEACH	No
Constant-lighting control	No
Interconnection	Yes
Type of interconnection	Master/master
Interconnection via	Cable

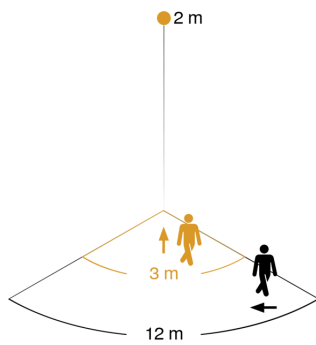
Motion detector

# IS 130-2

white  
EAN 4007841 660314  
Article number 660314

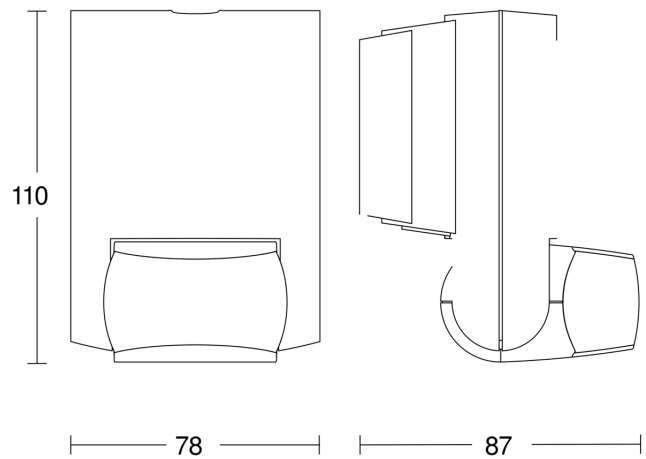


## Detection Zone

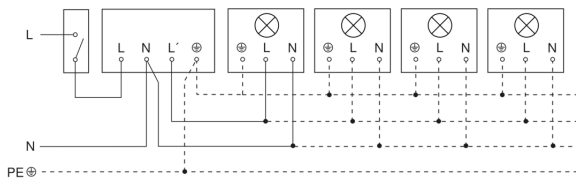


Possible mounting height: 1,80 m– 3,00 m  
Orange: radial  
Black: tangential

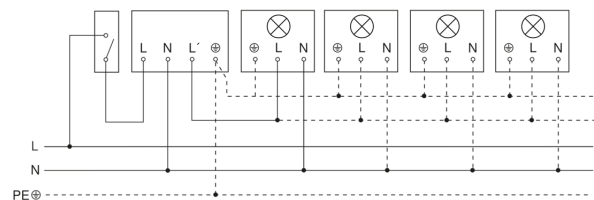
## Dimension Drawing



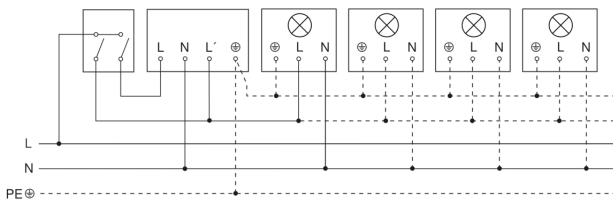
## Light without neutral conductor



## Light with neutral conductor



## Connection using two-circuit switch for manual and automatic operation



## Circuit diagram Connection via a changeover switch for continuous and automatic operation

