

Install method

connect the line

- When installing dryer without junction box, you should install above the right side of dryer. Two-hole standard outlet corresponds to hand dryer. The distance should be 20-50cm.
- Please embed junction box without cover in the installation location when directly connecting power cord is needed. Other wise power cord will be forced out of body and can not be properly installed.

Shell remove

- Using Allen wrench from accessories bag to remove 2 countersunk screws from body shell.
- Pull the shell upward by hands to remove.
- Keeping the shell carefully avoiding scratching.

Machine installation

- As figure showed, the machine to be fixed on the wall by screws. The machine has been equipped with a power cord. If needing junction box for installation, the power cord must be removed.
- As figure showed, poking the thread hole of junction box by screw drivers, wire drawn out through thread hole to the terminal blocks to connect.
- When connecting, the wire length should exceed 2cm to terminal block. Fire line must be connected at L position of terminal blocks, null line connected at N position, earth line connected at Ⓧ.

Shell installation

- Tighten the 2 countersunk screws on the shell.

Test run

Steps	Confirm information	Check & Notice
1 Shake the machine gently	The machine is installed firmly without shaking	It will occur shaking and noisy when the machine doesn't install firmly
2 Confirm the power and voltage	Please use the rated power supply	It will burn out machines or cause human accidents if the power use incorrect
3 Switch on the power	Close external power supply switch or insert the power plugs	Power socket must be match the machine plug Please check the power when the indicator light not bright
4 Skid in your hands to drying	High speed wind blow out	Please confirm whether your hands are far away from the sensor parts if there is no wind blowing out

Specification

Model	HDKU2000		
Appearance size	312x302x172mm		
N.W	4.1kg		
Voltage	AC220-240V~	Motor	Brush motor
Phase	Single-phase	Sensing distance	15~20cm
Input	1200-1450W	Protection class	IPX1
Heating power	650-750W	Wind speed	70m/s

WARNING

If you don't use this unit properly or follow the safety guidelines care Ullly, it would lead to serious personal injury or property damage

- Prohibited**
 - Do not open the front panel. Otherwise, This may get an electric shock
 - Do not let children hang from the unit, otherwise, this may cause the unit to drop.
- Do not allow The unit get wet**
 - Do not allow the unit get wet, otherwise, it will cause electric shock
- Do not use in a wet environment, for example, near the bathroom where it may get the direct water and the places where the condensation may form. Otherwise, this may cause electric shock and unit malfunction.**
- Do not modify and disassemble the unit unnecessarily. Otherwise, this may cause a fire, electric shock, or personal injury.**
- Rated power is required**
 - If power tolerance is over +/-10%, there will be breakdown If using incorrect power supply, fire, electric shock and machine malfunction will happen.
- Please use dedicated socket**
 - If using together with other appliances, the socket may cause abnormal heat leading to fire
 - Power must be cut off when maintenance to prevent the risk of electric shock. Air filter must be installed.**
- If the machine doesn't work or have abnormal conditions, please cut off power to prevent accidents; and close leakage circuit breaker and ask supplier to check and repair, or it may lead to fire because of electricity leakage and short circuit.**
- Machine must have reliable ground connection.**
- Attention when installation:**
 - Do not install when the machine are power connected.
 - This appliance is not intended for use by persons (including children) with reduced physical, sensory or mental capabilities, or lack of experience and knowledge, unless they have been given supervision or instruction concerning use of the appliance by a person responsible for their safety.
 - If the cord is damaged, it must be replaced by the manufacturer, its service agent or similarly qualified persons in order to avoid a hazard.

Daily use and maintenance

External maintenance

- Screw with a soft dry cloth or towel Sassafras. Please use neutral detergent. Please don't use organic solvents, acid or alkali toilet cleaner, cleaning brush etc.
- Otherwise, the machine will destroy machine surface finish or produce discoloration.
- If using a chemical cloth, make sure that the use of attention.

Cleaning the air filter

- Cleaning cycle: semi-annually or when the wind speed decreases obviously.
- Open the air inlet panel, Pull the air filter out by the handle.
- Cleaning the air filter
 - Beat it lightly by hand or use a vacuum cleaner.
 - It can also use hairbrush to wipe off dust.
 - Air filter can directly to cleaned with water, Re-use after dry.
- Re-attach to the unit.

Usage instructions:

Packing list

main machine	1	User manual	1
5x25mm self tapping screw	4	Allen wrench	1
5mm expansion pipe	4		

Kangarillo ULTRA Hand Dryer

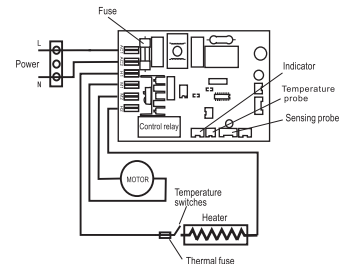
USER MANUAL



01279 466 500

www.handydryers.co.uk

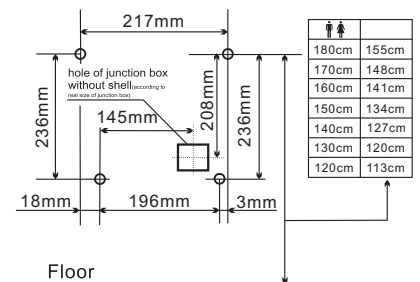
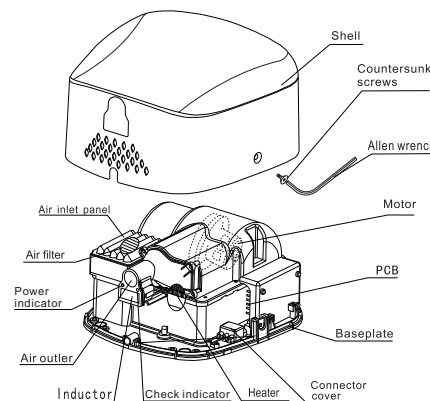
Electrical diagram



Precautions before installation and Installation location

- Do not install in the following places (otherwise may cause malfunction).**
 - Place with temperature below 10°C or above 40°C
 - Place directly sprinkled by water
 - Place with direct sunlight, strong light
 - Place easy for condensation
 - Place filled with corrosive, oxidizing and reducing gas
 - Place with altitude over the range of 0~2000m
- Installation location**
 - The following picture shows the recommended location. (If there is floor or obstacles below the hand dryer, the distance between machine and floor or obstacles should be at least 400mm.)
 - Keep the right side of dryer away from mirror or wall for the water droplets may splash out when you dry hands. (The distance should be 100mm above)
 - Please avoid the place easy to meet people and easy to encounter doors.
 - Please select flat wall to install this product.

Name of each part



*Power cord should be 1.0mm²-1.5mm²