



Omniunique Window Fan

Secured by Design accredited



THE **ONLY** WINDOW FAN TO BE AWARDED THE PRESTIGIOUS SECURED BY DESIGN SEAL OF APPROVAL

Secured by Design



Official Police Security Initiative

OMNIQUE WINDOW FAN

Are the window fans in your homes **secure**?

They could be used as a means of entry into a home

Are you specifying the best security products for your tenants?



PASSED

the rigorous and intense PAS24:2012 independent testing required for the Secured by Design accreditation

Secured by Design



What is **SECURED BY DESIGN?**

Established in 1989, Secured by Design is the official UK's Police flagship initiative focusing on the design and security, particularly within homes, commercial premises and car parks. It also acknowledges the quality of security products and crime prevention products.

Secured by Design combines the principles of designing out crime with physical security.

The principles of the scheme have been proven to reduce the risk of crime and the fear of crime.

Secured by Design



Official Police Security Initiative

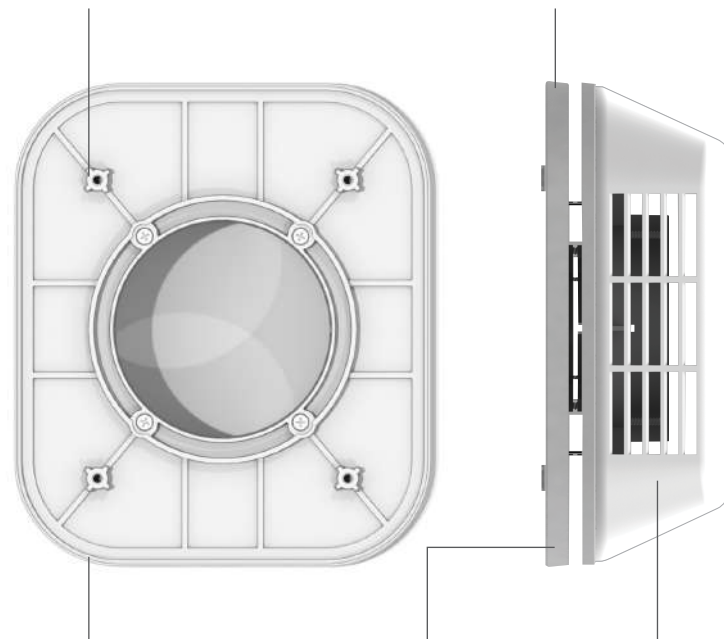
Omnique Window Kit is the solution for security conscious landlords

“ The Omnique Window Fan was given this accreditation because it passed independent testing as a critical component within PAS24:2012 by the Loss Prevention Certification Board. We are very pleased to have a window fan of this security level available now and are very excited to welcome Greenwood to Secured by Design. ”

Doug Skins
Development Officer at Secured by Design

Extra thick webbed plastic at screw fixing points gives an increased level of strength and security to protect the unit from possible malicious damage.

Robust material selected for fan and window kit to increase strength once installed on the window.



Rubber 'O' ring seals ensure that the product sits tight to the window, preventing scratching or damage to the glass.

Two plates (one at the back of the fan and the other at the back of the grille) effectively sandwich the glass for the most secure fixing ever.

The external grille has no direct path through into the property making it harder to gain access.

Intruder proof

The only Secured by Design window kit on the market.

Privacy

Designed so that you can't see directly through the fan when it is installed in the windows.

GIP: Ventilation performance





Adjust the fan based on how and where it is installed to help ensure it is always doing the correct performance and eliminates costly mould and condensation issues.

Multifunction

Removing the need for multiple fan options and specification, Omnique's 6 in 1 options means that the maintenance team have one fan to deal with, whatever the application – saving time, effort and incorrect fan for application.



6 functions in just 1 product

- ✓ Intermittent running mode
- ✓ Continuous running mode
- ✓ Pullcord control
- ✓ SMART Timer control 
- ✓ SMART Humidistat control 
- ✓ SELV – Safety Extra Low Voltage Option

Physical specification

All measurements in millimetres

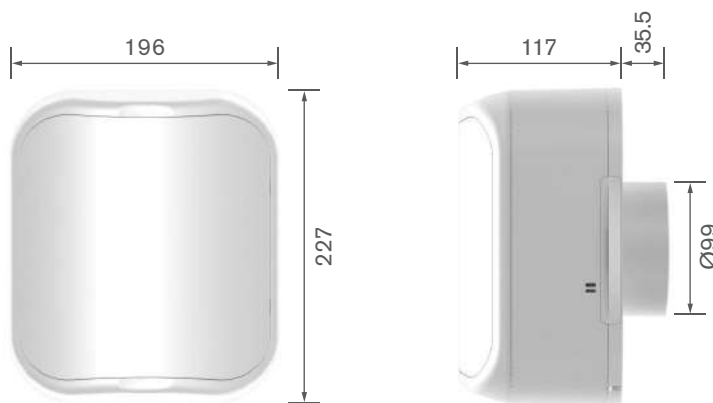
Omnique Fan

Weight:

1.4kg

Materials:

White gloss finish,
ABS plastic manufacture



Front

Side

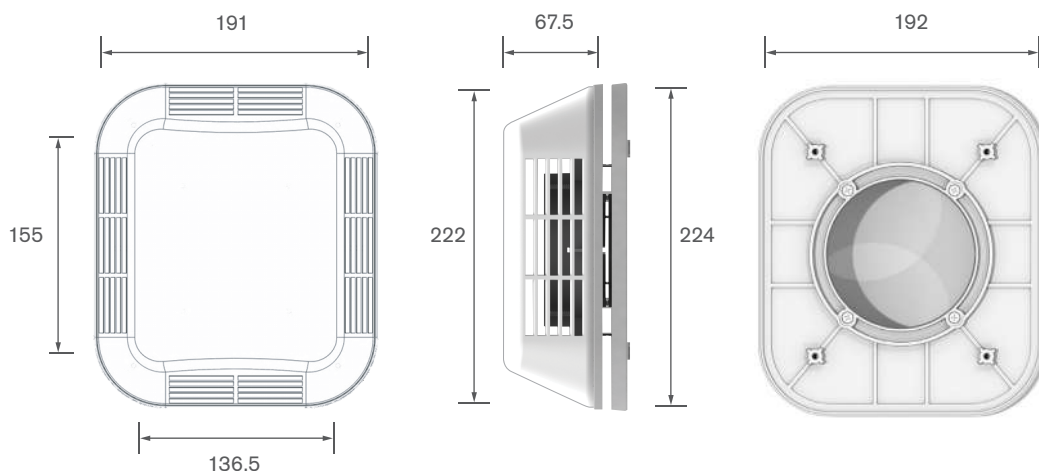
Omnique Secure Window Kit

Weight:

0.5kg

Materials:

ASA and polycarbonate



External cowl

Side

Internal backplate

Installation

Wiring: Must comply with IEE Regulations

Cable: 1mm² Ø max

Fuse: 3 amp normally required
(when fan is supplied from a 6A lighting circuit no local fuse is required)

Exhaust: Ø 100mm

Electrical specification:

220–240V~50Hz Class II

Consumption: Min 1.1W Max 30W

Glazing: Suitable for 4–28mm

Glazing hole 118mm

Application: Wall / Window / Ceiling

Omnique Fan Performance

Continuous running

Speed setting	Airflow performance (l/s)		Sound pressure level @ 3m dB(A)	Energy consumption (W)	
	Bathroom (default)	Kitchen (default)		Minimum	Maximum
Trickle speed	6	8.5	7	1.1	3
Boost speed	8.5	13	19		

Intermittent running

Room	Airflow performance (l/s)	Sound pressure level @ 3m dB(A)	Energy consumption (W)	
			Minimum	Maximum
W.C.	6	7		
Bathroom	15	31		
Utility room	30	45	1.1	26.5
Kitchen	61.7	52		

Omnique is IPX4 Rated

Omnique is ErP Compliant and DoP (Declaration of Performance)

information can be found at www.greenwood.co.uk

© Zehnder Group UK Ltd 2016

Greenwood Airvac is a division of Zehnder Group UK

All goods are sold according to Zehnder Group UK's Standard Conditions of Sale.

Zehnder Group UK Ltd

Registered Office:
Watchmoor Point, Camberley
Surrey GU15 3AD

Phone 01276 605800
Email info@greenwood.co.uk
Web www.greenwood.co.uk

www.zehnder.co.uk