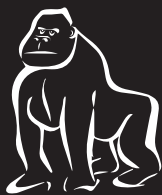
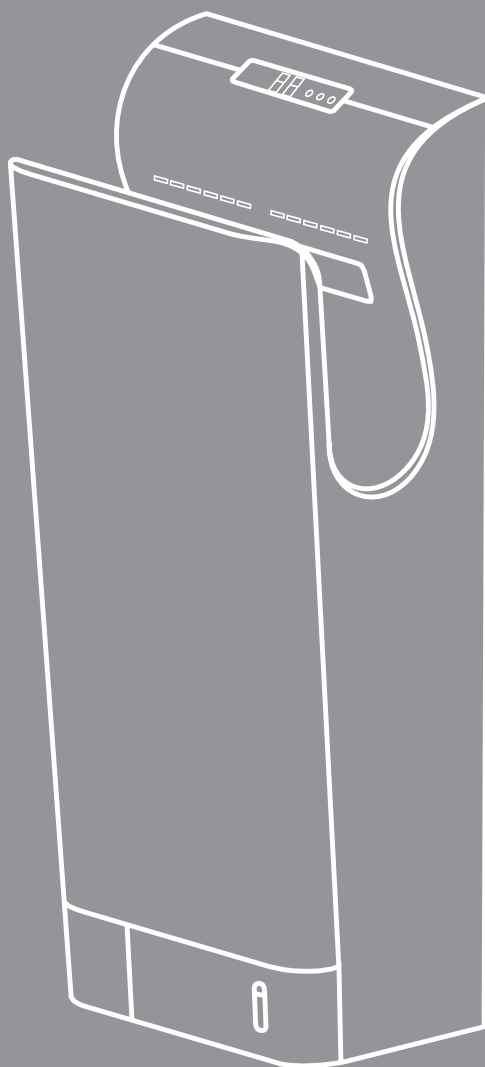


gorillo  
ULTRA



# User Manual



handy**dryers**

**Do not attempt to install the unit yourself, unless you are a trained service technician, or this may affect the safety and functioning of the machine**

**Read this manual thoroughly before using the unit and retain for future reference**

## CONTENTS

Contents & Specifications .....	1
Precautions .....	2
Component Names & Unit Dimensions .....	3
Use .....	4
Cleaning .....	5
Trouble Shooting • Electrical Schematic .....	6
Pre-installation Precautions .....	7
Installation .....	8
Test Run .....	9
Packing List .....	10

## SELF PROTECTION

This machine has inbuilt self-protection, which means it will automatically stop working after 25 seconds. To continue drying withdraw hands and re-insert them

## SPECIFICATIONS

<b>Rated voltage</b>	AC220 – 240V–	<b>Motor</b>	Brushless DC motor
<b>Input power</b>	1650 – 2050W	<b>Induction method</b>	IR blocking
<b>Wind velocity</b>	95m/S	<b>Protection class</b>	IPX4
<b>Heating power</b>	1000 – 1200W	<b>Dimensions</b>	300 x 215 x 700mm
		<b>Net weight</b>	9.5kg



## WARNING: Injury may occur if misused



Prohibited

- DO NOT OPEN THE FRONT PANEL – ELECTRIC SHOCK RISK
- DO NOT ALLOW CHILDREN OR ADULTS TO PULL OR HANG ON THE MACHINE



Do not allow unit to get excessively wet

- Place the unit away from direct water supplies



Follow instructions carefully

- A suitably rated fused power supply is required
- Ensure the correct power supply is used, if more than +/-10% the unit may malfunction
- The power must be turned off during maintenance



Ensure unit is earthed

- The drain tank and air filter must be installed for correct operation
- Ensure the unit has a reliable earth connection
- Do not install connected to a power supply



- This hand dryer must be installed by a qualified electrician
- If the power cord is damaged it must be replaced by the manufacturer, its service agent or a qualified person



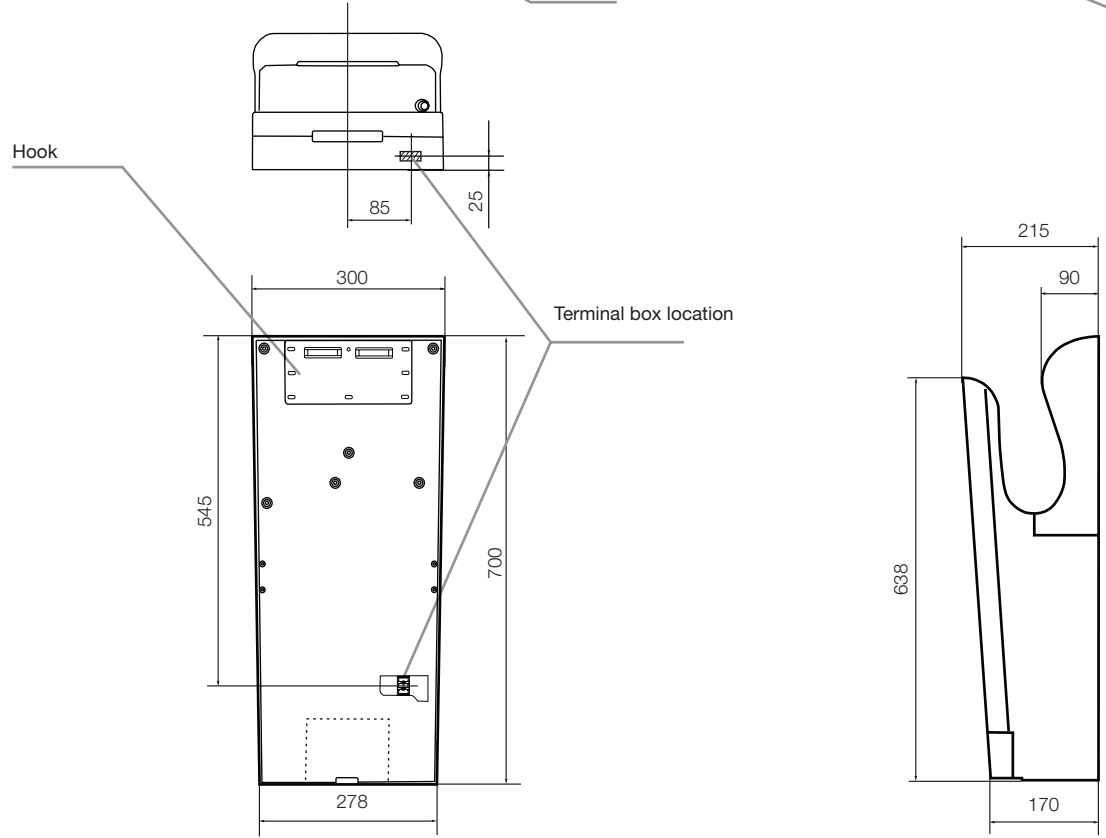
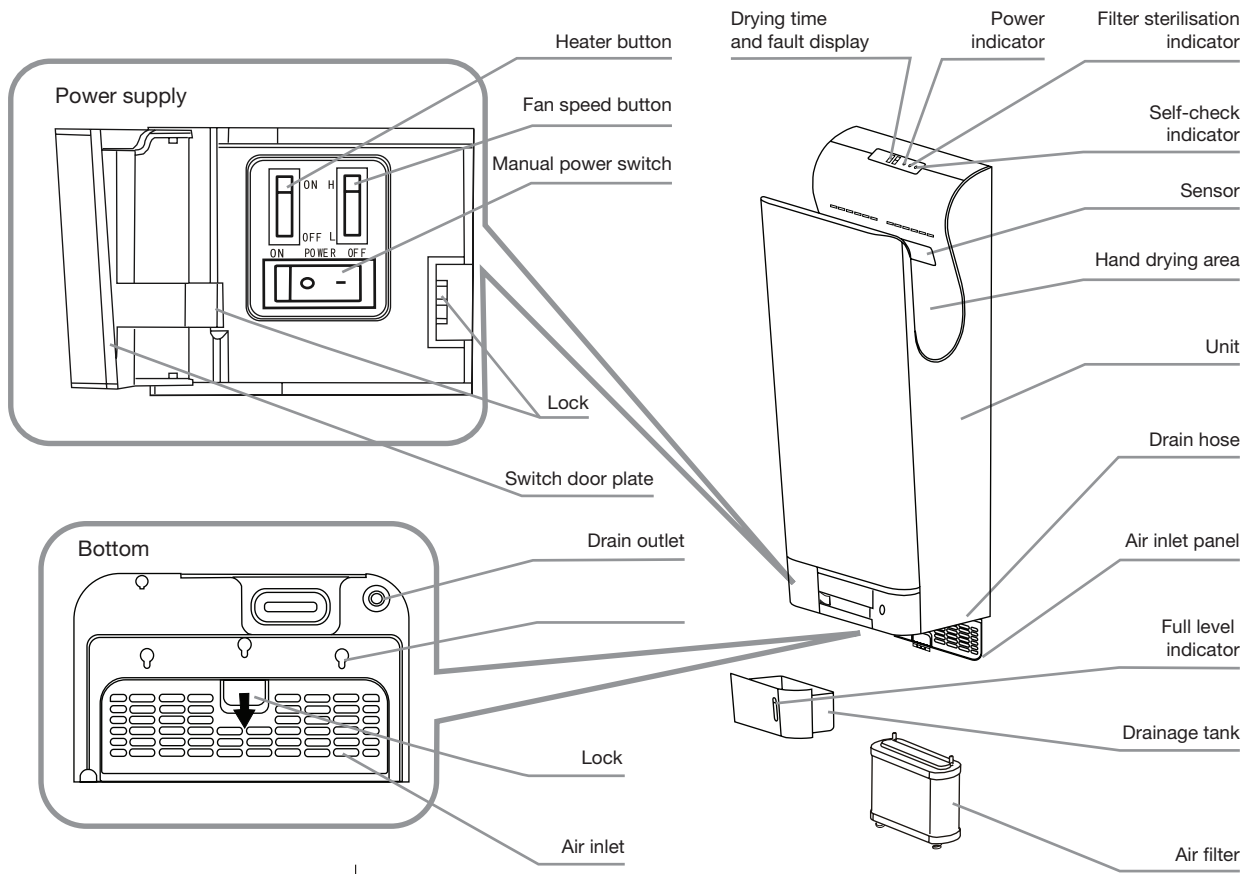
Do not dismantle

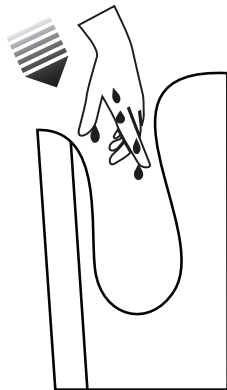
- A residual current device (RCD) with a rated residual operating current, not exceeding 30mA is recommended



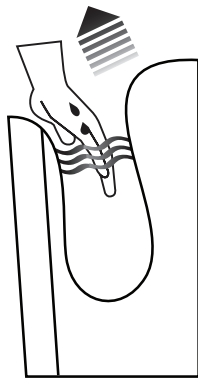
- ENVIRONMENTAL PROTECTION  
Do not dispose of electrical waste with household waste, please recycle in appropriate facilities. Check with your Local Authority or retailer for recycling advice.

# COMPONENTS AND DIMENSIONS

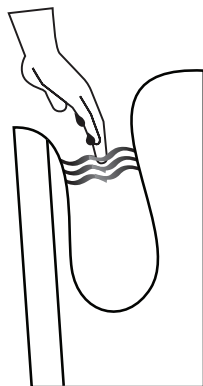




Stretch out both hands and insert them into the unit  
The drying function will start automatically



Pull them back slowly, allowing the water  
to blow away  
Repeat if necessary



Pull hands out completely

### WALL STICKER



Place wall sticker in a prominent position  
(the front of the unit or a wall nearby)

## ROUTINE CLEANING

### CLEANING YOUR GORILLO ULTRA

#### Before it gets obviously dirty

- Clean with a soft cloth. If the unit is very dirty use a soft, dampened cloth with neutral cleaning agent, then polish with a soft, dry cloth
- Remove dirt from the sensor (to prevent malfunction)



#### NOTE

- Only use neutral cleaning agents
- Do not use thinners, acidic or alkaline toilet cleaners or nylon brushes (they may damage the surface)
- **Use \*alcohol to clean the hand-drying area, but DO NOT use alcohol anywhere else on the unit**
- If using chemical cloths please read instructions first
- Disinfecting agents will damage the unit

\*Disinfectant alcohol below 83% concentration



#### WARNING

- Before cleaning the unit ensure power is switched off
- DO NOT splash excessive water into the unit



#### CAUTION

- Wear gloves when cleaning

- The antibacterial coating is effective when bacteria is exposed to the surface
- The antibacterial coating will become ineffective if the surface is very dirty

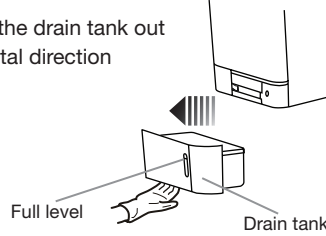
### DRAIN TANK MAINTENANCE

#### Before it fills up (at least once a week)

- To prevent water from overflowing it is necessary to regularly empty the drain tank
- If the accumulated water is left in the drain tank it may degrade and start to smell!

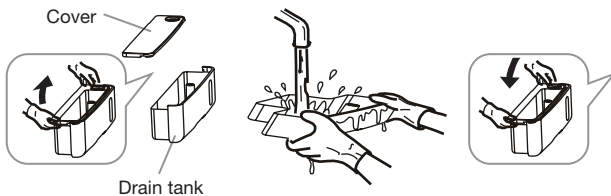
1

Gently pull the drain tank out in a horizontal direction



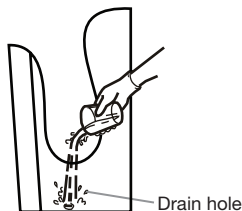
2

- 1 Open the cover and empty
- 2 Wash and disinfect the inside of the drain tank
- 3 Replace the cover and return to the unit



3

Add 200cc (about 1 cup) of clean water through the drain hole and clean with supplied brush (to prevent clogging with debris)

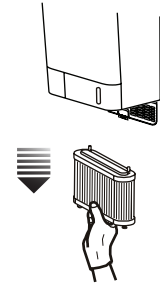


### CLEANING THE AIR FILTER

#### About once a week

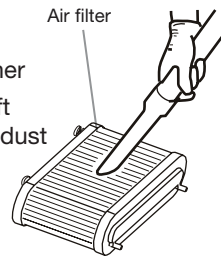
1

- Remove the air filter
- Open the air inlet panel  
Pull the air filter out by the handle



2

- 1 Cleaning the air filter
  - Beat it lightly by hand or use a vacuum cleaner
  - You can also use a soft brush to brush off the dust



- 2 Re-attach insert the correct way around into the unit and secure the door shut and lock



#### NOTE

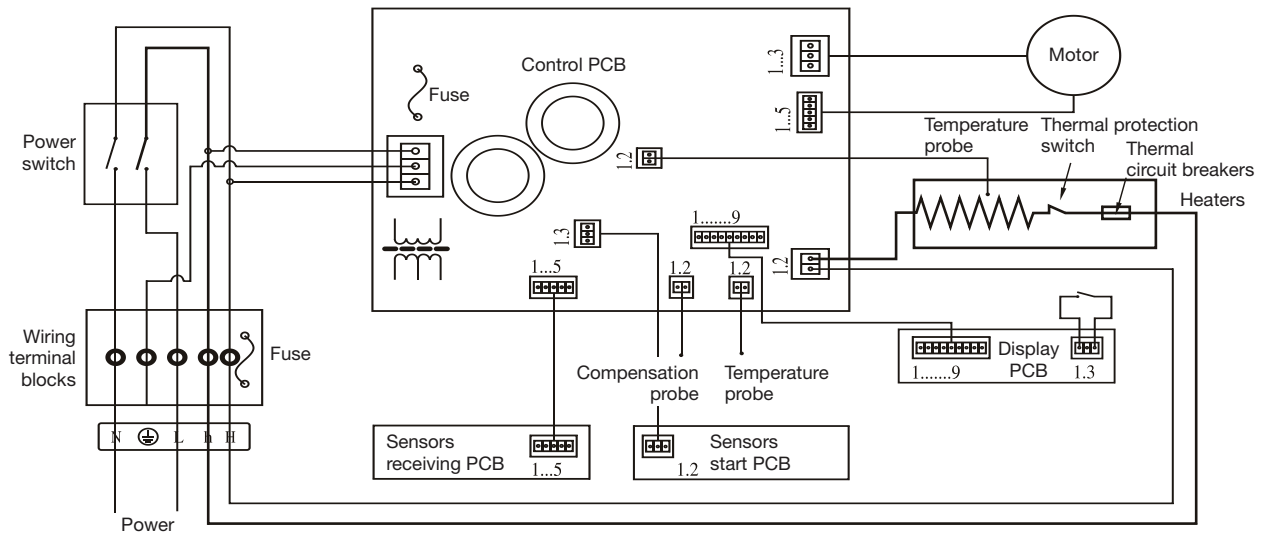
DO NOT use water to clean the air filter

# TROUBLE SHOOTING • ELECTRICAL SCHEMATIC

## TROUBLE SHOOTING

Problem	Check	Action
No air blows even if hands are inserted	Are the display indicators lit? Is the power switched on? Are you putting your hands all the way into the unit?	Turn the ground-fault circuit breaker on Turn the power switch on Put hands all the way into the unit
Machine continues working when hands are removed, screen shows 'E2'	Is there any dirt or foreign body on the sensor?	Switch off the power button and once the power light has gone off remove the dirt or foreign body from the sensor. Once finished, switch the power back on.
No hot air	There is an inbuilt heat sensor in the unit – is there any dirt on the heating sensor? Has the fuse inside the terminal box blown?	Is the ambient temperature higher than 20°C? Switch off the power, remove the front cover. There is a terminal box inside, take the cover off this. Check whether the fuse inside the terminal box has blown.
Airflow is too low	Is the speed button set to low level?	Turn the speed button to the high setting
If the above actions do not work, turn off the power and call your dealer to inspect and repair your unit, if necessary.		

## ELECTRICAL SCHEMATIC



	Status	Introductions	Status	Introductions	Solution
Power indicator light	Lit	Power on	Off	Power not supplied	Check external power source, close the power switch
				Master board fuse blown	Repair fuse
State indicator light	Off	Machine not in use	Flashing light	Motor fault, it won't operate normally	Check motor connecting wires and the clear any foreign objects
				Used for longer than 25s	Clear workspace of foreign objects, restart to work
Timing digital tube	Digital Readout				
	E1	Motor fault, normally	E2	Run time longer than 25s	Clear workspace of foreign objects, restart to work
	E3	Incorrect voltage/power surge	E4	Voltage drop	Check the power supply circuit
	E5	Machine temperature higher than 80°C	E6	Master board temperature is higher than 80°C	Ensure the air inlet and outlet are clear of foreign objects
			E8	Fan fault	Check the fan sensor connection

## PRE-INSTALLATION PRECAUTIONS

**There are locations unsuitable for this unit.  
DO NOT install in the following types of location:**

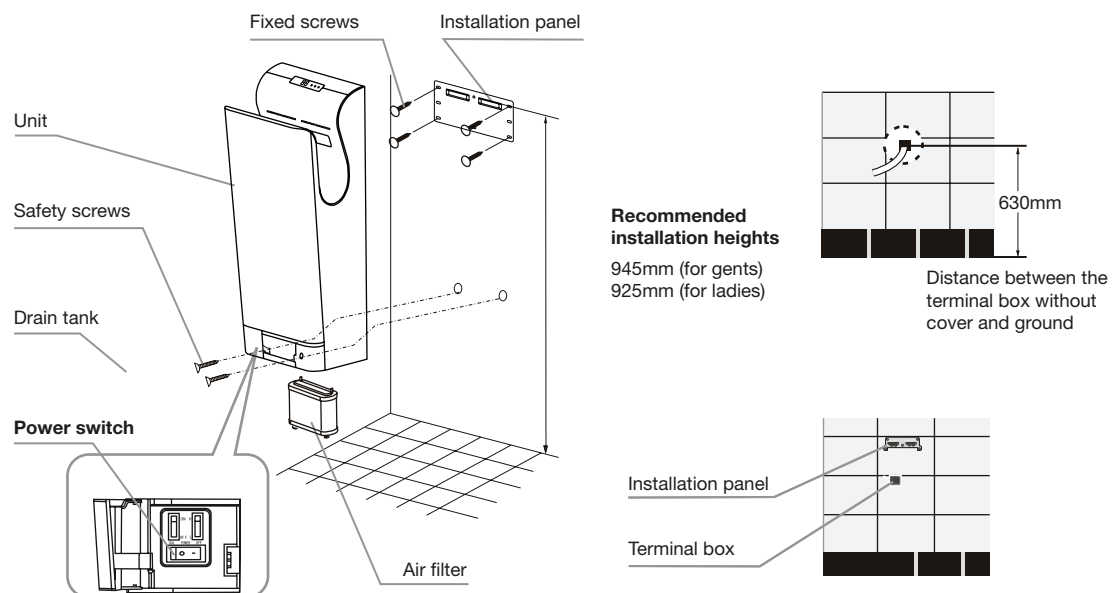
- Where the temperature can be below -10°C or above 40°C
- Where the unit may come into direct contact with water
- If the unit will be in direct or strong sunlight
- If there is a lot of condensation in the environment
- If there are corrosive, neutral or reductive gases present
- 20m or more below, or 2000m or higher than, sea level

### Installation location considerations:

- Install the unit in a position where the unit will be easy to use.  
Note that if the unit is installed too low it may get wet when the floor is cleaned
- Ensure there is at least 150mm clear space below the machine (either to the floor or other objects in the location)
- It is recommended that a minimum distance of 100mm should be left clear to either side of the unit
- Avoid locations where people or doors might damage the unit
- Choose a completely flat wall surface to mount the unit to

### Spur location:

- Connect directly to fused spur, ensuring spur is at least 300mm away from the machine (never directly above or below the unit)





**Use a single-phase alternating rated voltage supply**  
(Not to be used with a power supply exceeding  $\pm 10\%$ )

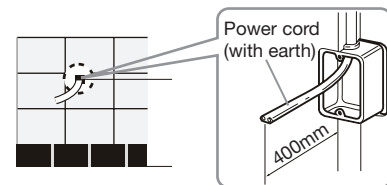
**Use a power cord between  $2\text{mm}^2$  and  $2.5\text{mm}^2$  thick**  
(A voltage drop is possible if longer than 11m, so we recommend using  $2.5\text{mm}^2$  cable)

**1**

### Wire the unit

Embed a backbox in the installation location (1 switchbox no cover)

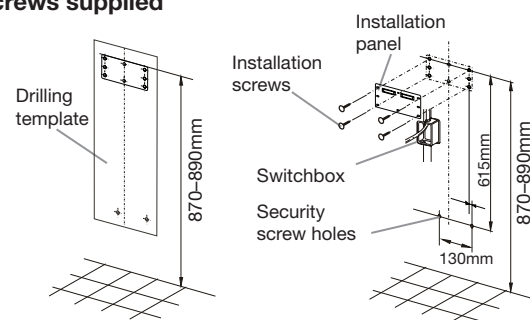
- If no backbox is used the power cord may prevent the unit from sitting flush against the wall



**2**

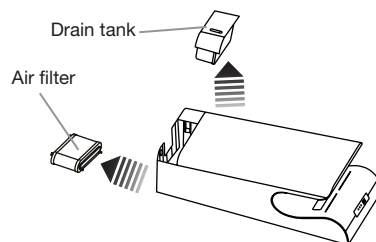
### Attach the installation panel to the wall using the 5 screws supplied

- If the wall is concrete, use metal screw plugs (raw plugs etc)
- If the wall is not concrete, reinforce it prior to installation
- Place the drilling template onto the wall and drill holes
- Place rawplugs into the holes and screw on mounting plate as shown



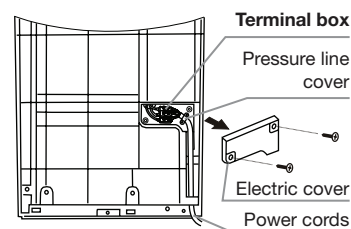
**3**

### 1 Remove the drain tank and air filter



### 2 Remove electric cover and power cords

- Unscrew the 2 screws on the electric cover and remove lid
- Unscrew the 2 screws on the pressure line cover, loosen the 3 screws on terminal box, then pull out the power line

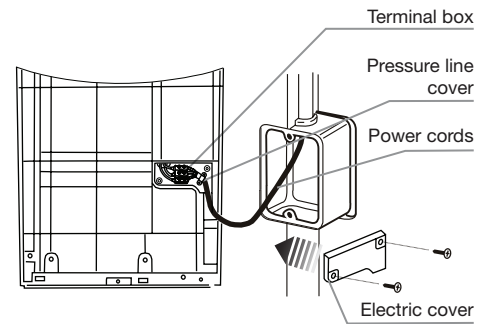


## INSTALLATION

4

### Replace the terminal block cover

- Ensure power cables sit within the cabling channel and the terminal block cover is flat after installation

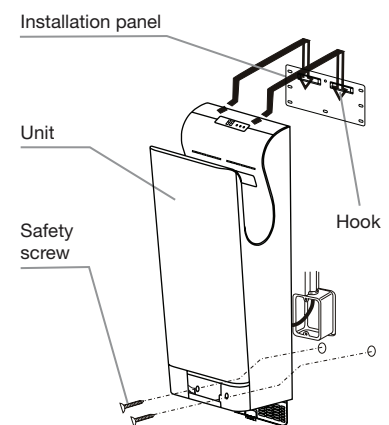


5

### Fix the unit

- Tidy the power lines and press any excess into the terminal block on the wall
- Hang on metal wall brackets and ensure it sits flush to the wall
- Install the safety screws (x 2)

NOTE: the unit must be installed with the safety screws or it will be unstable



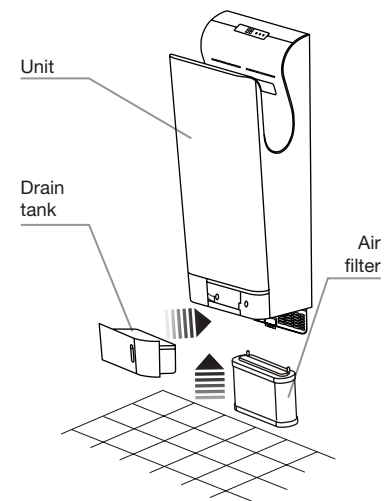
6

### 1 Replace the air filter

- Carefully push the air filter up into the unit, close the air inlet door and lock it with the catch

### 2 Replace the drain tank

- Push the drain tank into the unit, as shown



## PACKING LIST

Unit .....	1
Mounting plate .....	1
5mm Expansion pipe .....	6
5 x 30 Self-tapping screws .....	6
User manual (including Packing List and Warranty Card) .....	1
Method of use figure .....	1
Drilling template .....	1



01279 466 500

**handydryers**

[www.handydryers.co.uk](http://www.handydryers.co.uk)

Handydryers  
Unit 9 StortValley Industrial Estate  
Bishops Stortford  
Hertfordshire  
CM23 2TU