

## LED Emergency Downlights

The Glade 1 watt non-maintained and 5 watt maintained are compact fittings that utilise the latest LED technology. This ensures an environmentally friendly emergency downlight.

### Features

- 1W non-maintained and 5W maintained versions available
- Long life LED technology
- Maintained or non-maintained 3 hour emergency backup
- Slim-line driver module
- Sleek & minimalist design
- Simple 'plug and go' installation
- Low environmental impact
- Low maintenance
- Meets BS EN 60598-2-22 and other relevant standards



5W maintained

1W non-maintained

The Glade 5w benefits from our unique SmartTest system

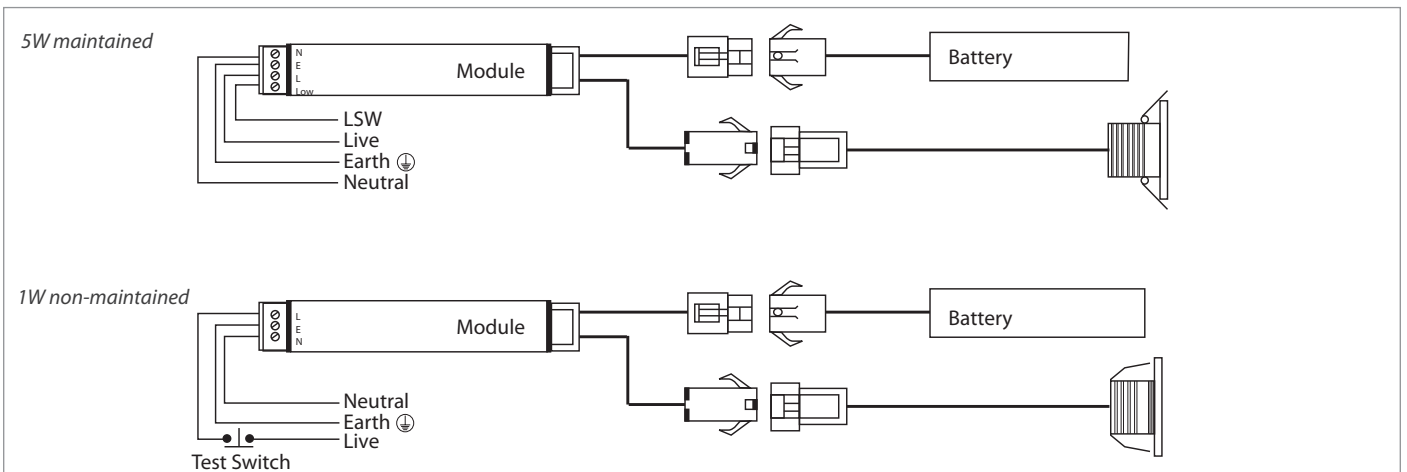
## Glade 1 Watt

SPECIFICATIONS	
Light Source	1 watt LED
IP Rating	IP40
Emergency Duration	3 hours (minimum) - non-maintained
Mains Voltage	230V 50Hz ± 10%
Mains Current (max)	35mA
Recharge Period	Less than 24 hours
Charge Indicator	Integral green LED
Changeover Voltage	As per the requirements of BS EN 60598-2-22
Temperature Range	0°C to 40°C
Weight	Module and battery 250g Lamp head 4g
Battery	3.2V 1.5Ah Lithium LiFePo4

## Glade 5 Watt

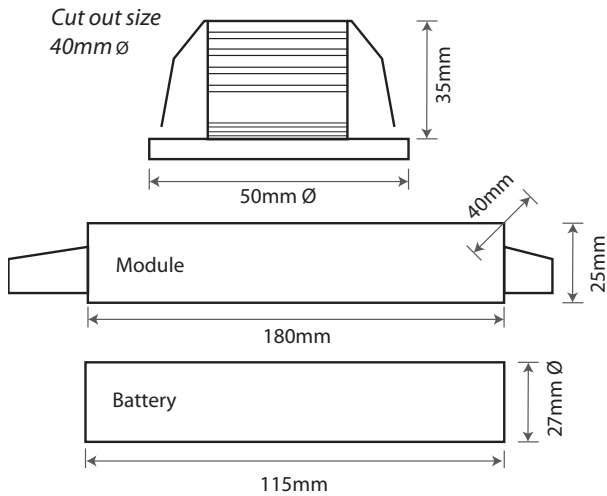
SPECIFICATIONS	
Light Source	5 watt LED
IP Rating	IP40
Emergency Duration	3 hours (minimum) - maintained
Mains Voltage	230V 50Hz ± 10%
Mains Current (max)	50mA
Recharge Period	Less than 24 hours
Charge Indicator	Integral green LED
Changeover Voltage	As per the requirements of BS EN 60598-2-22
Temperature Range	0°C to 40°C
Weight	Module and battery 555g Lamp head 230g
Battery	3.2V 5.5Ah Lithium LiFePo4

## Installation Drawings





# 1W LED Downlight



The 1 watt maintained Glade is ideal for locations such as escape routes, panic areas and small spaces. It is supplied both both open area and corridor lenses

### Features

- Utilises 1 x 1 watt LED
- Designed to fit through a 36-38mm ceiling aperture

### PHOTOMETRIC SPACING DATA (1 lux) Open Area 120Lm

Mounting height				
2.5m	3.35	6.15	6.15	3.35
4m	3.4	6.3	6.3	3.4

### PRODUCT CODE

### DESCRIPTION

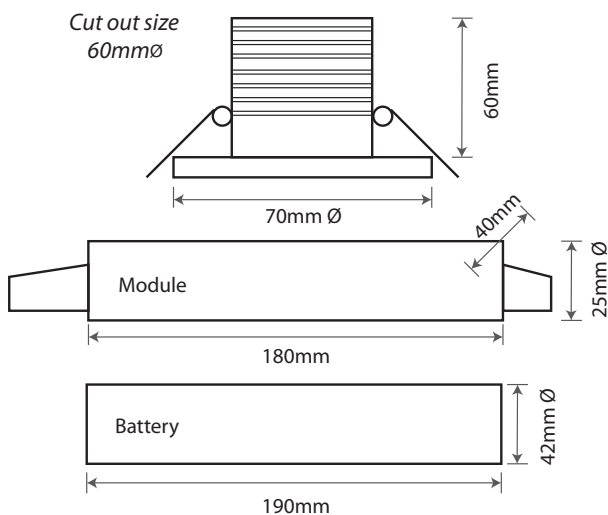
E/GL/LED/NM3/1W/WH/Li

Glade 1W non-maintained LED mini down light - white

### PHOTOMETRIC SPACING DATA (1 lux) Corridor 107Lm

Mounting height				
2.5m	5.1	9.4	n/a	n/a
4m	4.4	9.1	n/a	n/a

# 5W LED Downlight



The 5 watt maintained Glade is ideal for areas with high ceilings. It is supplied both both open area and corridor lenses

### Features

- Utilises 1 x 5 watt LED
- Designed to fit through a 60mm ceiling aperture

### PHOTOMETRIC SPACING DATA (1 lux) Open Area 262Lm

Mounting height				
2.5m	4.1	8.1	8.1	4.1
4m	4.6	9.2	9.2	4.5

### PRODUCT CODE

### DESCRIPTION

E/GL/LED/M3/5W/WH/Li

Glade 5W maintained LED mini down light - white

E/EM/RC

Emergency light remote control test unit

### PHOTOMETRIC SPACING DATA (1 lux) Corridor 241Lm

Mounting height				
2.5m	6.1	13.3	n/a	n/a
4m	8.4	14.4	n/a	n/a