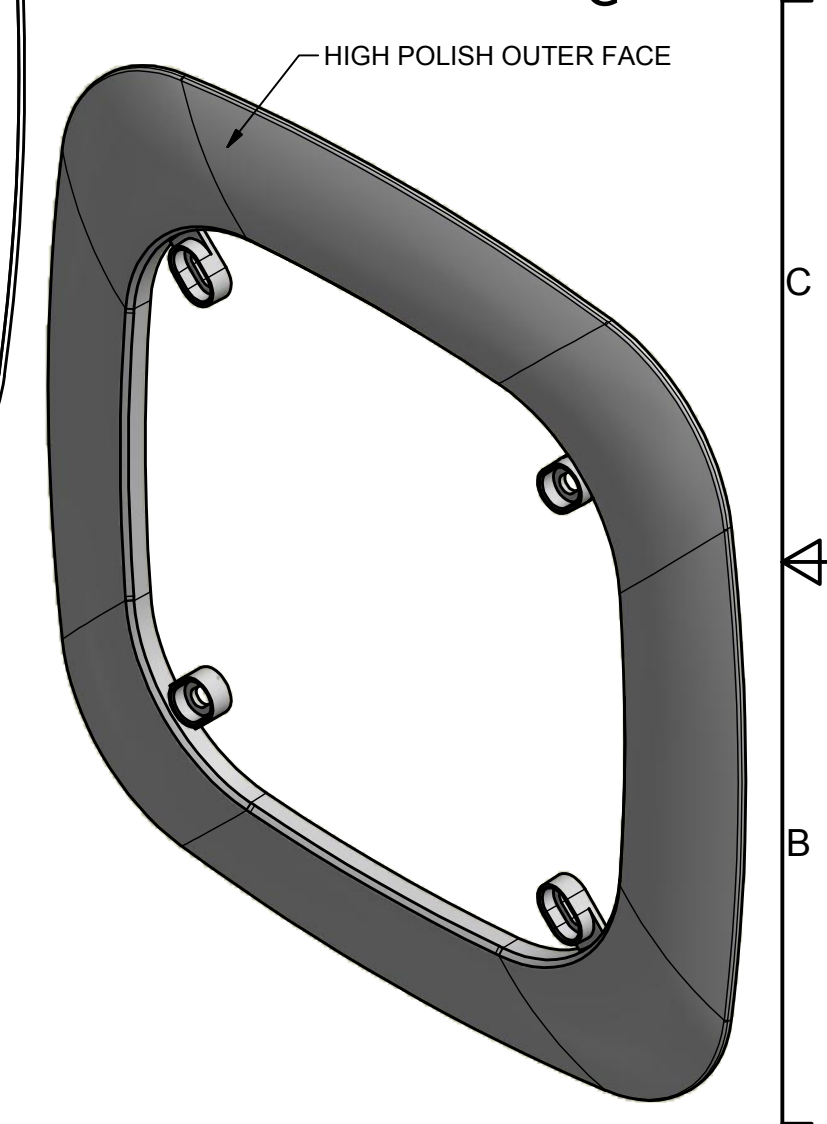
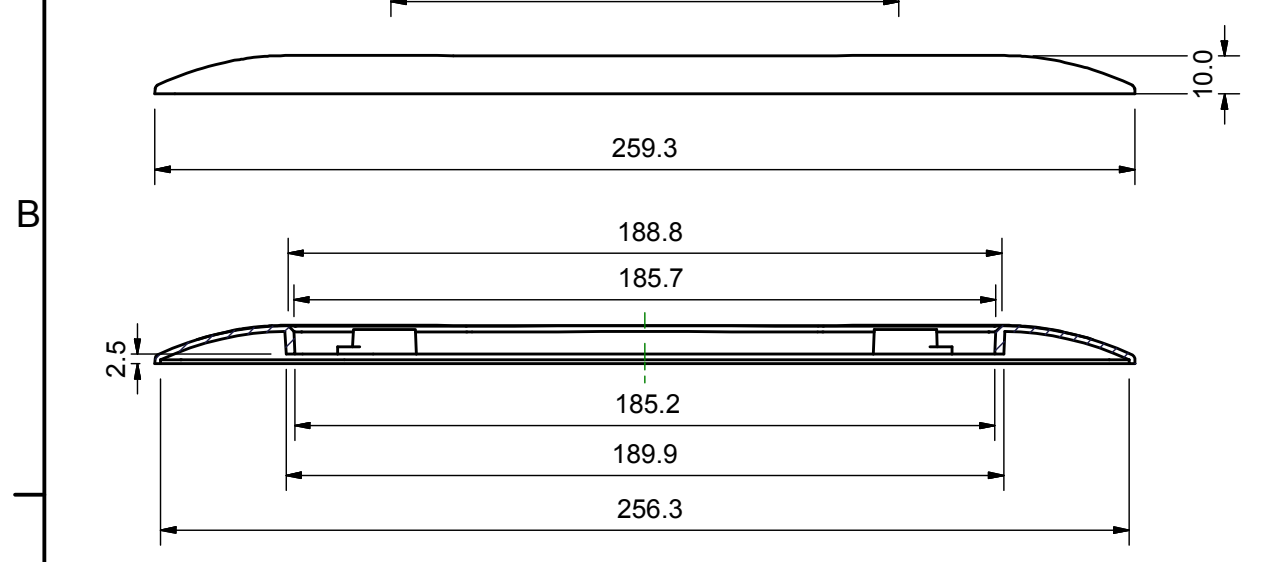
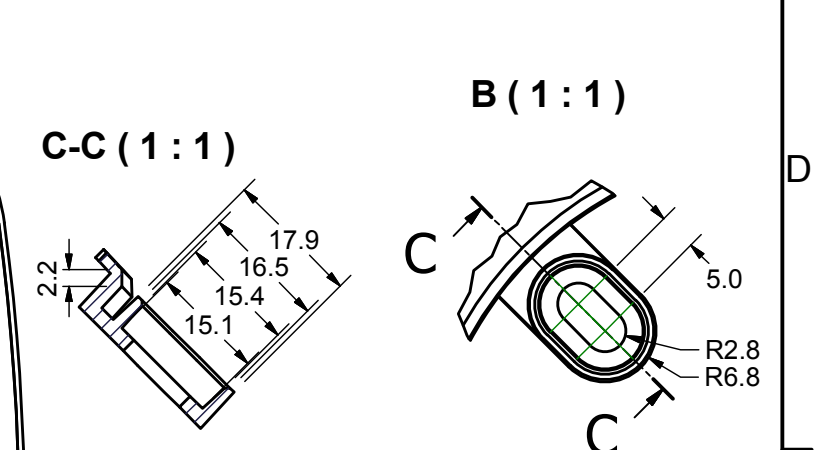
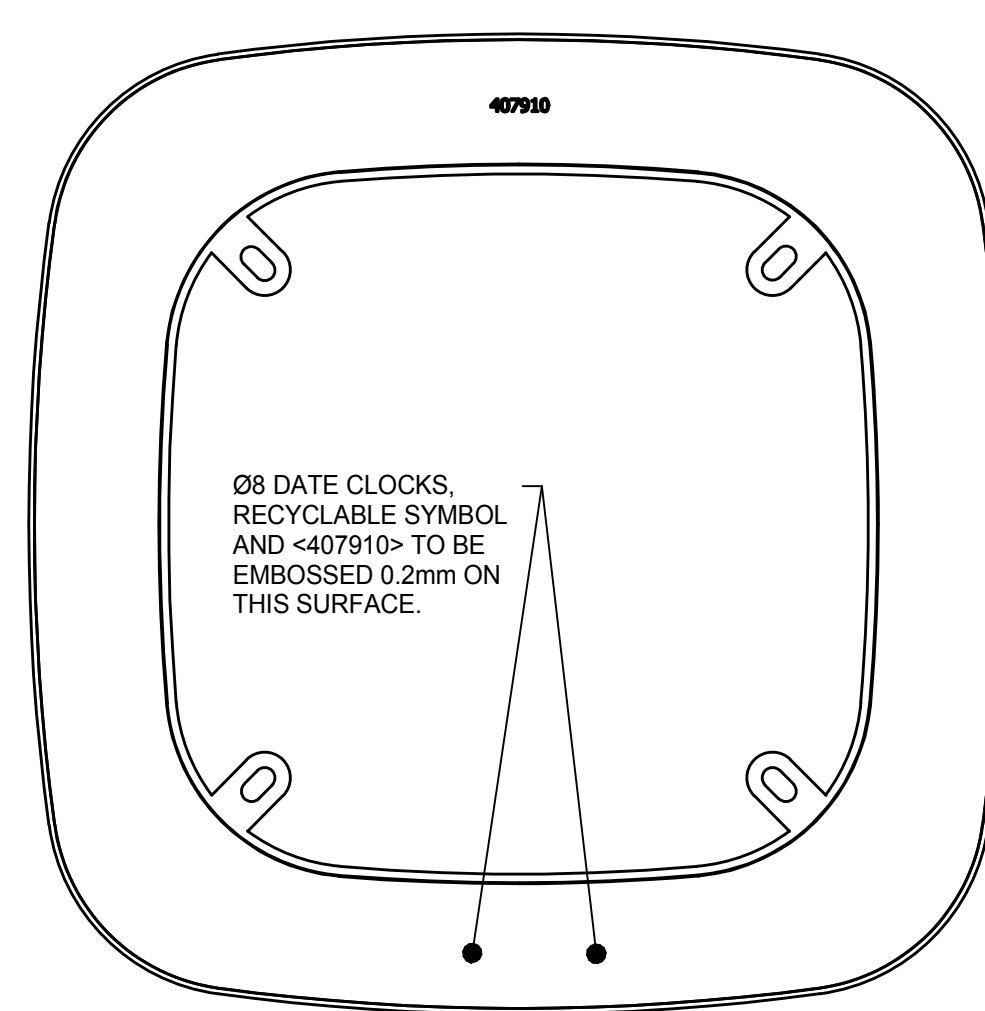
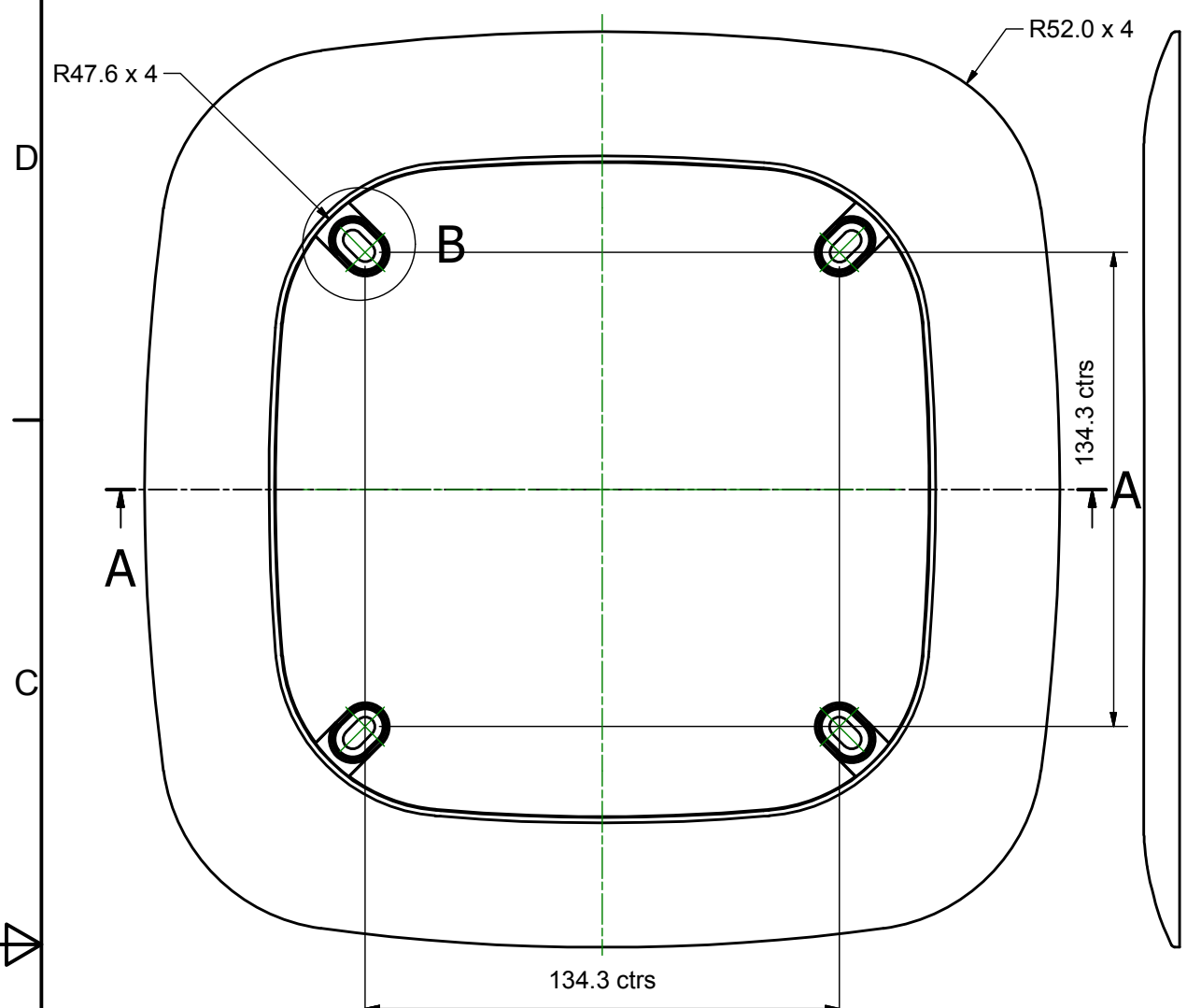


6 | 5 | 4 | 3 | 2 | 1



- NOTES:**
1. Feeds and injection points must be agreed with Design Department.
  2. Tool finish - Presentation surface: High Polish  
- Non-presentaion surface: Commercial Finish
  3. Date code required (format: Month and Year)
  4. Part Number <407910> required. Text font height 3mm.
  5. Recycling symbol and material <ABS Plastic> below.
  6. Date code, part number and recycling symbol to be on inserts.
  7. Control drawing only. Tooling to be based on 3D solid model.
  8. Mass: 0.063 kg approx.
  9. Material thickness: 1.5mm unless otherwise specified.
  10. Draft angle: 1.0° unless otherwise specified.
  11. Colour to approved colour swatch/sample - WHITE 011435 to RAL 9003
  12. All clip and fit details to be adjusted after sampling and cost to be included in tool quotation. Tooling to be 'Metal Safe'.
  13. This part to mate with parts numbered: 407909, 407929

**A-A (1:2)**

B	21/07/2016	SP	7094	22/07/2016	SRA
A	13/05/2015	SRA	6547	13/05/2015	SRA
ISSUE	CHK'D DATE	CHK'D	ECO No	APV'D DATE	APV'D

DIMENSIONS IN MILLIMETRES TOLERANCES:- X ±0.5 X.X ±0.2 X.XX ±0.1 ANGULAR DIMENSIONS ±1.0° UNLESS OTHERWISE SPECIFIED					
This drawing/document is COPYRIGHT and the property of VOLUTION VENTILATION GROUP. It must not be copied (in whole or in part) used for manufacture or otherwise disclosed without prior written consent of the company.  Any copies of this drawing/document made by any method must also include a copy of this legend.  © VOLUTION VENTILATION GROUP 2016	DRAWN	goetzer	DATE	31/10/2014	SHT: 1 of 1
	MATERIAL	ABS 431349			
	FINISH	HIGH POLISH (SEE NOTE)			
	PRODUCT	RESPONSE	SCALE	1:2 U.O.S	
		A3		PROJECTION	
			STOCK REF No		407910
			DRG No		407910
			ISSUE		B
<b>DECOR CONVERSION FRAME</b>					

6 | 5 | 4 | 3 | 2 | 1