

# JC17049

## Spike Light

Garden Spike Light, IP65, GU10 35W max



### Features & Benefits

- Durable die-cast aluminium construction
- IP65 protection against water ingress
- Pre-wired with 1m flex
- GU10 cap



CLASS I



NOT SUPPLIED



3yr

WARRANTY

### General Information

Product Group

**Inground**

Product Range

**Architectural Exterior Range**

Trade Name

**Architectural**

Product Shape

**Cylinder**

Additional Information

**This product is also suitable for wall mounting, affix product with the bracket using suitable fixings and discard the spike.**

Mounting

**In-Ground**

Product Weight

**0.43kg**

Color Finish

**Anthracite**

Overall Dimensions

**Ø65 x 103 x 268.5mm**

Recommended Product Location

**Exterior in earth**

Method Of Fix

**Inground**

IP Rating

**IP65**

Environment

**Outdoor**

Origin of manufacturer

**China**

**2 years standard warranty extends to 3 years when registered within the first year of purchase (See Website for terms and conditions)**

Warranty

**Inground**

Lighting Product Type 1

## Electrical

Voltage Rating	<b>100-240</b>
Operating Frequency Hz	<b>50/60Hz</b>
Luminaire Circuit Wattage	<b>35W max</b>
Class	<b>Class 1</b>
Input Electrical Connections	<b>Live, Earth, Neutral</b>
Dimmable	<b>No</b>
Lampholder	<b>GU10</b>

## Performance Data

Energy Rating	<b>This luminaire is compatible with bulbs of the energy class A+ to E</b>
---------------	--

## Construction

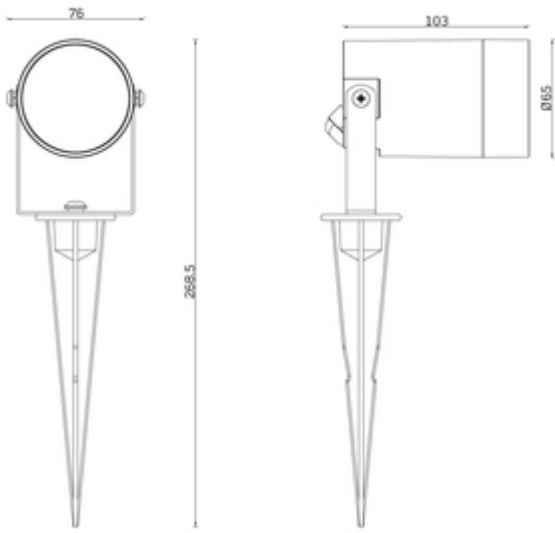
Primary Material	<b>Aluminum body/plastic spike</b>
Lens	<b>Tempered glass</b>

## Packaging

Product Packaged Weight	<b>0.49kg</b>
Quantity Per Outer Carton	<b>24</b>
Outer carton(L)- cm	<b>42</b>
Outer carton(W)- cm	<b>32</b>
Outer carton(H)- cm	<b>38</b>
Outer carton overall dimensions	<b>42 x 32 x 38cm</b>
Outer carton Net weight- kg	<b>11.76kg</b>
Outer carton Gross weight- kg	<b>12.16kg</b>
Product Bar Code EAN-13 Number	<b>5052544106026</b>
Outer carton Bar Code ITF-14 Number	<b>15052544106023</b>

## Standards & Approvals

Manufactured In Accordance To	<b>BS60598-1-2015</b>
CE Marked	<b>Yes</b>
WEEE Symbol	<b>Yes</b>
Certificate Of Conformity	<b>Yes</b>
Accredited Members	<b>LIA, ISO9001:2015, ISO14001:2015</b>



---

JCC Lighting LTD Innovation Centre, Beeding Close, Southern Cross Trading Estate, Bognor Regis, West Sussex PO22 9TS  
Sales: 01243 838999 (8am to 5pm Monday to Friday) Fax: 01243 838998 | [sales@jcc.co.uk](mailto:sales@jcc.co.uk) | [www.jcc.co.uk](http://www.jcc.co.uk)  
Company Registration Number: 03044848 | VAT Number: 918544112

This document is uncontrolled if printed, all information is subject to change

Version 12 [22 Sep 2020]