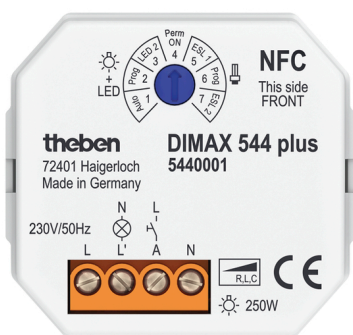


Description

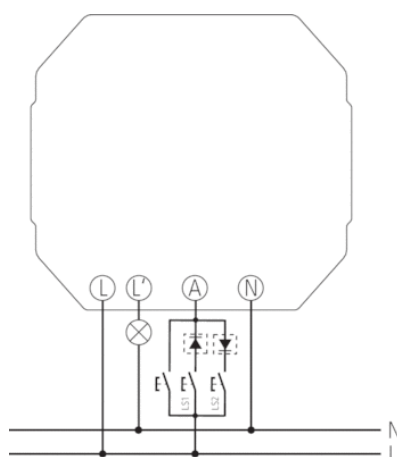


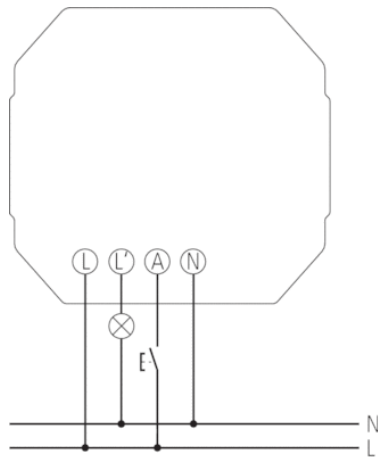
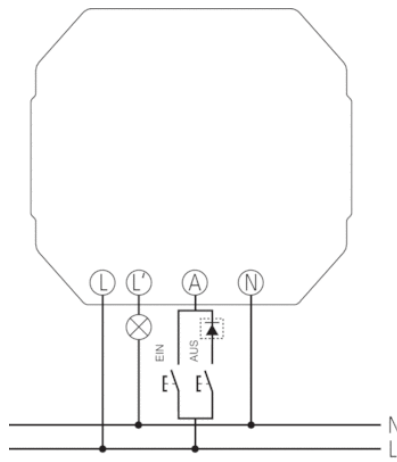
- Universal dimmer for R, L and C loads with automatic load detection
- Settings through easily accessible potentiometer or using a NFC capable smartphone (Near Field Communication)
- Programming is possible via an app, using the app there are advanced features configurable
- Optimised settings for LEDs, incandescent lamps and energy-saving lamps
- Up to 2 light scenes
- Comfort setting with wake-up and snooze function (can be deactivated), e.g. for children's bedrooms
- Adjustable dimming rate (with automatic functions)
- Special settings can only be set using the app, for double or rocker switch or staircase time switch and alternative dimming curves

Technical data

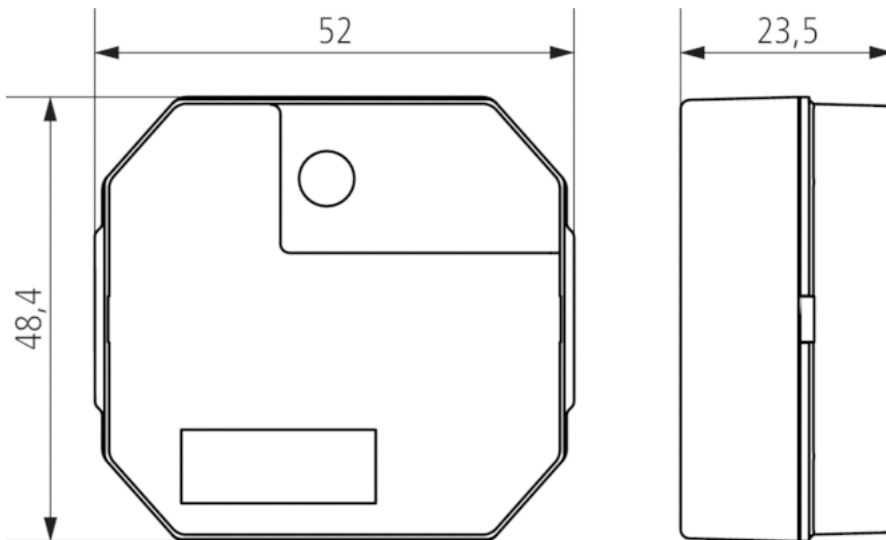
Operating voltage	230 V AC
Frequency	50 Hz
Installation type	Flush-mounted
Stand-by consumption	~0,25 W
Incandescent/halogen lamp load	250 W
Transformer electronic (C)	250 W
Energy saving lamps	Trailing edge: 200 W
LED lamp	Trailing edge: 250 W
Programmierung per App	<input type="checkbox"/>
Multi-function	–
Ambient temperature	-25 °C ... +45 °C
Protection class	II
Type of protection	IP 20

Connection example





Scale drawings



Accessories

Diode module

- Article number: 9070367
Details ▶ www.theben.de

