

Zehnder ComfoPipe Plus \varnothing 160 mm

Round Pre-Insulated Ductwork

Product data sheet

always the best climate



ComfoPipe Plus ø 160 mm

The Zehnder ComfoPipe Plus ø 160 mm self-seal insulated ducting is perfect for exceeding Building Regulations for insulation whilst minimising air leakage making it ideal for premium self build projects or PassivHaus developments. The lightweight and robust ductwork along with the self-seal connection mean this can be installed much faster than conventional rockwool insulation.

The thermal bridge free connections eliminate the need for tape, sealant and screws and also meets the requirements set out in [DIN 1946-6](#) with a much thinner wall thickness (43 mm reduced from 60 mm).



Key Features

- Easy and quick to install
- Airtight
- Exceeds Building Regulations
- Perfect for premium self-build or PassivHaus developments
- Simple push fit connection
- Lightweight and easy to handle
- No sealant or tape required
- Minimal components to simplify installation

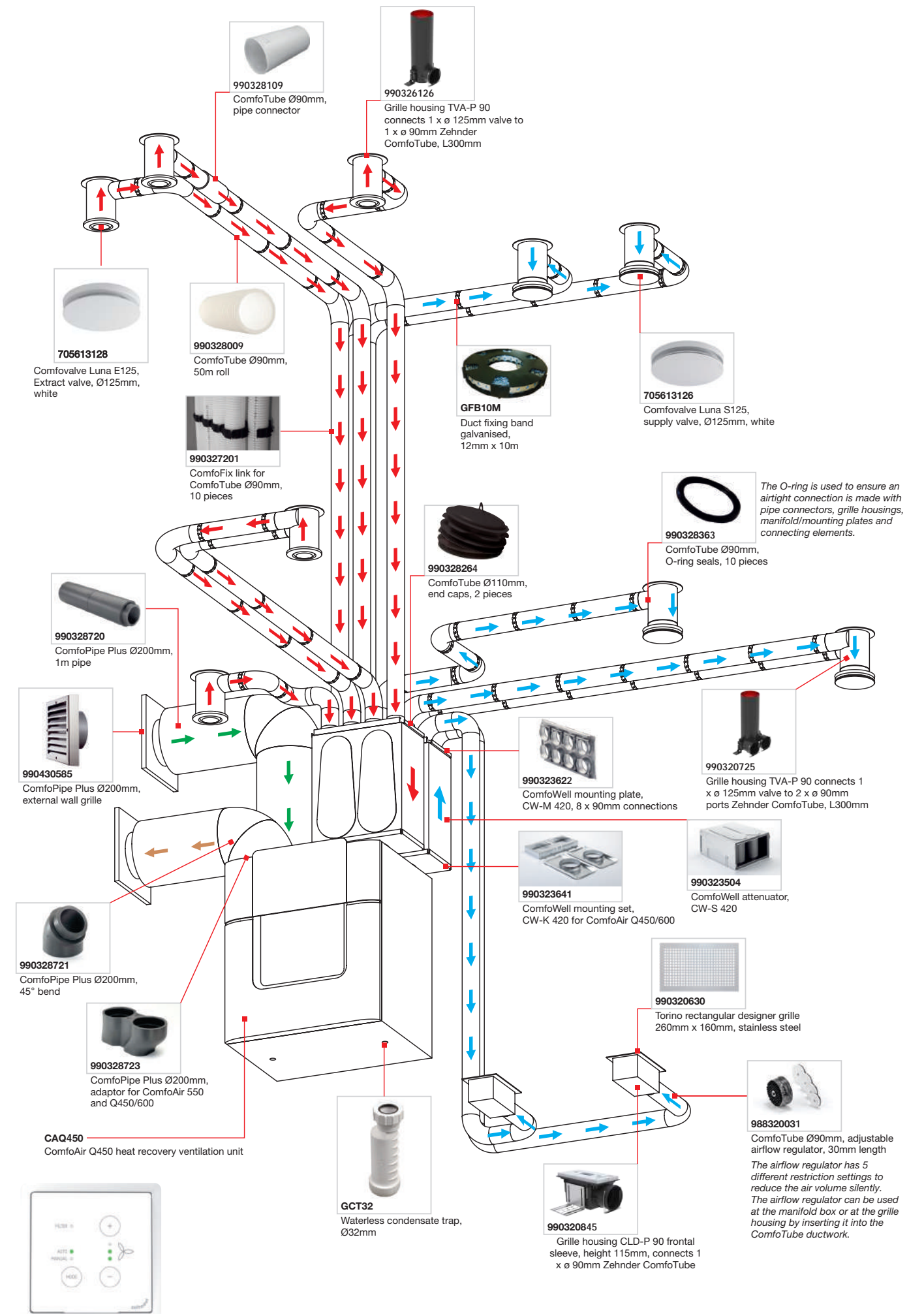
Article Numbers

Description	Product Code
Zehnder ComfoPipe Plus ø 160 mm, 1 m duct	990 328 700
Zehnder ComfoPipe Plus ø 160 mm, 45° bend	990 328 701
Zehnder ComfoPipe Plus ø 160 mm, 45° bend adaptor for Zehnder ComfoAir Flex 250/350, 2 Pieces	990 328 704
Zehnder ComfoPipe Plus ø 160 mm, duct connector	990 328 702
Steel ducting ø 160 mm, centric male duct connector with gasket seals, galvanised	MC160G
Zehnder ComfoPipe Plus ø 160 mm, external wall grille	990 430 584
Combined external wall grille, 2 x ø 160 mm connections, right-hand	990 430 594
Combined external wall grille, 2 x ø 160 mm connections, left-hand	990 430 595

Technical Specification

Material	Expanded Polypropylene (EPP)
Operating temperature range	-25 to +80°C
Maximum recommended air volume	83.3 l/s (300 m³/h)
Free area	20,106 mm²
Thermal conductivity	0.035 W/mK
Thickness	43 mm
Thermal Resistance	1.229 m²K/W
Fire rating in accordance with EN 13501-1	E
Meets DIN 1946-6	Yes

3D System Layout



Zehnder ComfoPipe Plus ø 160 mm

Article number: 990 328 700

Description

Insulated duct:

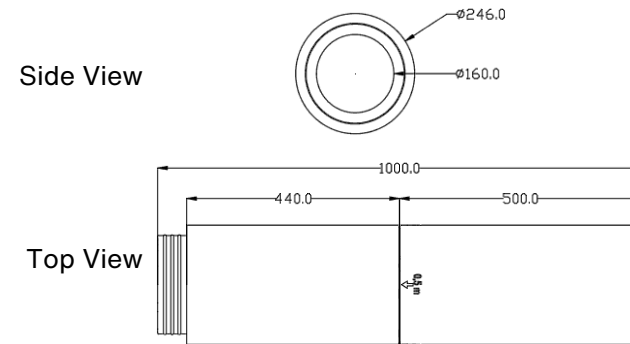
Insulated duct available in 1 m lengths. Each length comes complete with a premoulded single male duct to duct connector to fit into the next straight length of duct or a 45° bend.

Technical Specification

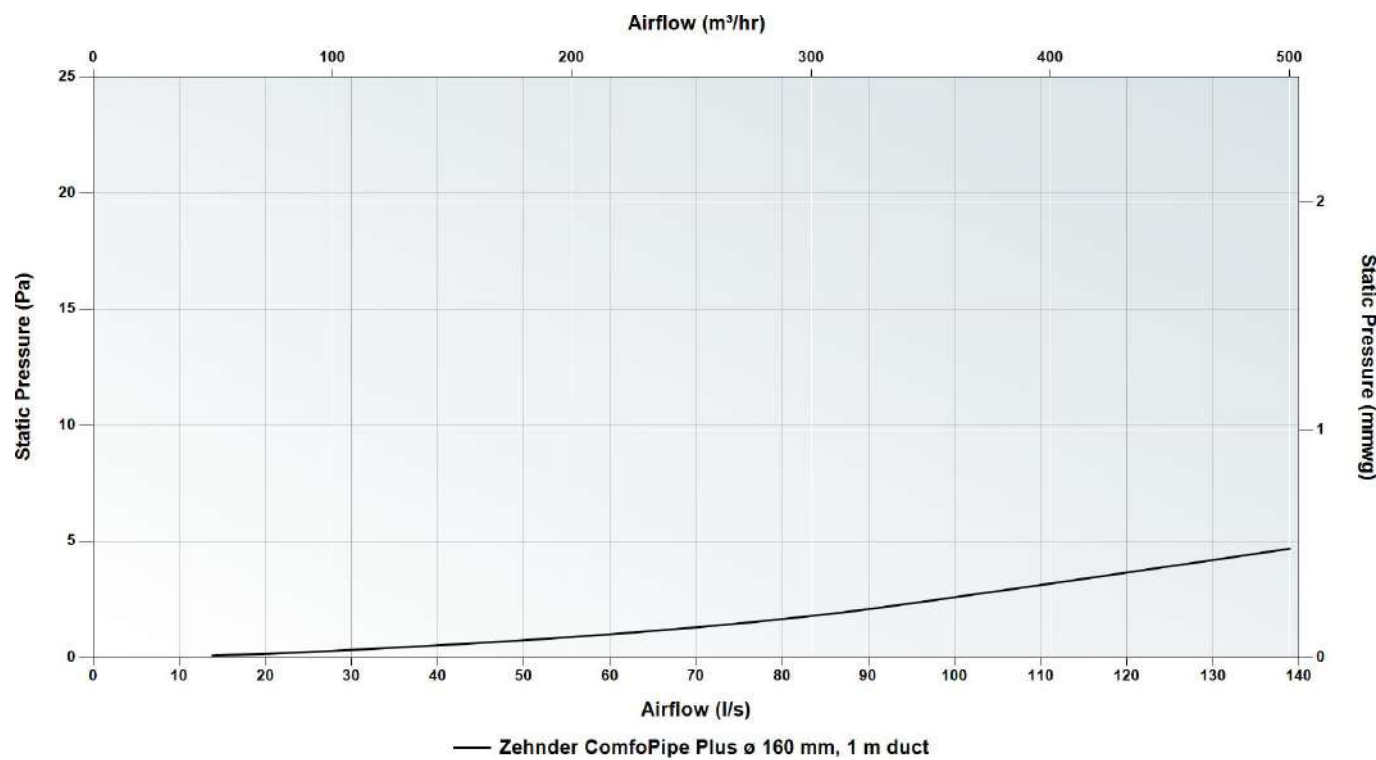
Outside diameter	246 mm
Inside diameter	160 mm
Length	1000 mm
Weight	1.082 kg



Dimensions



Pressure Curve



Zehnder ComfoPipe Plus ø 160 mm 90° / 45° Bend

Article number: 2 x 990 328 701 combined / 990 328 701

Description

Insulated bend:

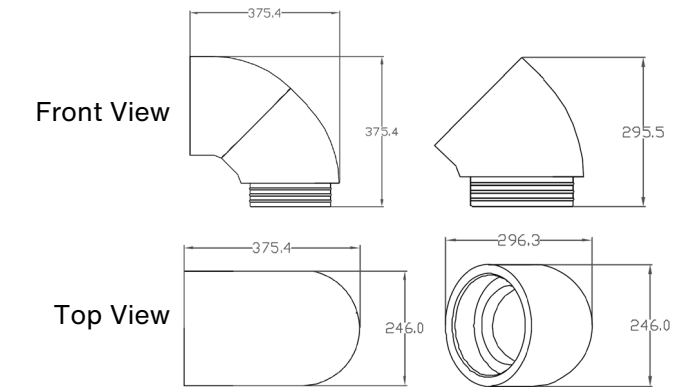
Insulated bend available in 45°, two can be combined to form 90°. Each bend comes complete with a premoulded single male connector to securely connect to a straight length of insulated duct or another 45° bend.

Technical Specification

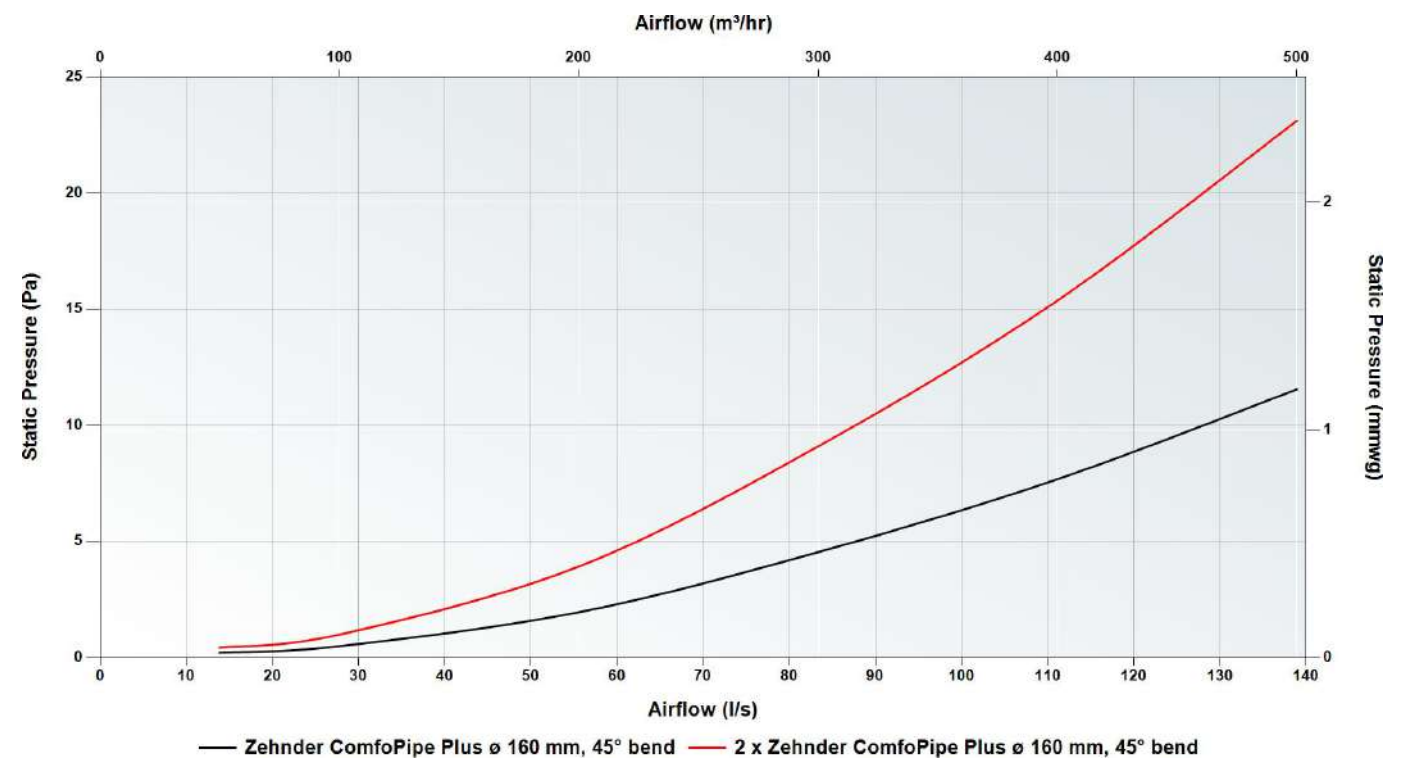
Angle	90° / 45°
Height	375.4 mm / 295.5 mm
Width	375.4 mm / 296.3 mm
Depth	246 mm
Weight	0.410 kg / 0.205 kg



Dimensions



Pressure Curve



Zehnder ComfoPipe Plus ø 160 mm, 45° bend adaptor for Zehnder ComfoAir Flex 250/350, 2 Pieces

Article number: 990 328 704

Description**Insulated adaptor:**

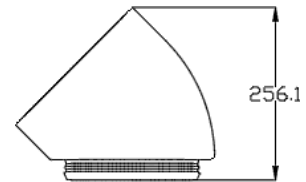
Insulated adaptor for use with ComfoAir Flex 250/350. Each bend comes complete with a premoulded single male connector to securely connect to the ComfoAir Flex 250/350.

Technical Specification

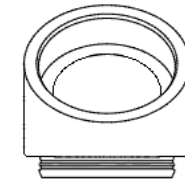
Angle	45°
Height	256.1 mm
Width	296.2 mm
Depth	246 mm
Weight	0.18 kg

**Dimensions**

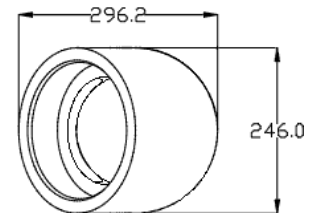
Front View



Side View



Top View


Zehnder ComfoPipe Plus ø 160 mm, duct connector

Article number: 990 328 702

Description**Coupling:**

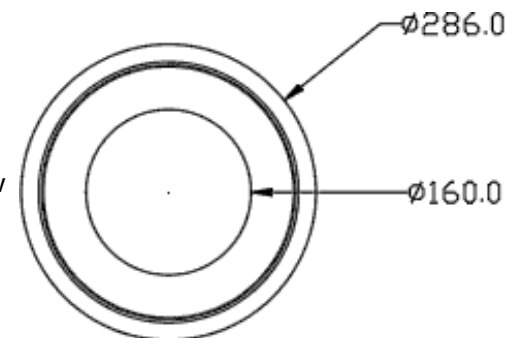
Coupling for insulated duct system to securely connect a cut length of ductwork to another straight length of insulated duct or another 45° bend.

Technical Specification

Length	140 mm
Diameter	286 mm
Weight	0.110 kg

**Dimensions**

Side View



Top View


Steel ducting ø 160 mm, centric male duct connector with gasket seals, galvanised

Article number: MC160G

Description**Coupling:**

Coupling to securely connect a length of 160 mm ductwork to another straight length of duct or MVHR unit with 160 mm ø spigots. Make good with additional insulation if connecting to insulated ductwork.

Technical Specification

Diameter	160 mm
Weight	0.190 kg



Zehnder ComfoPipe Plus ø 160 mm, external wall grille

Article number: 990 430 584

Description

Termination:

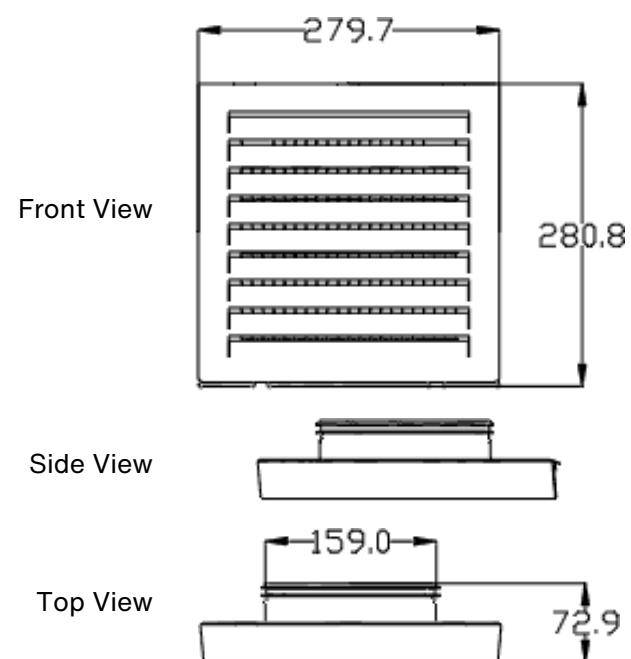
Termination for insulated duct system to securely connect to a straight length of insulated duct. Fly mesh included.

Technical Specification

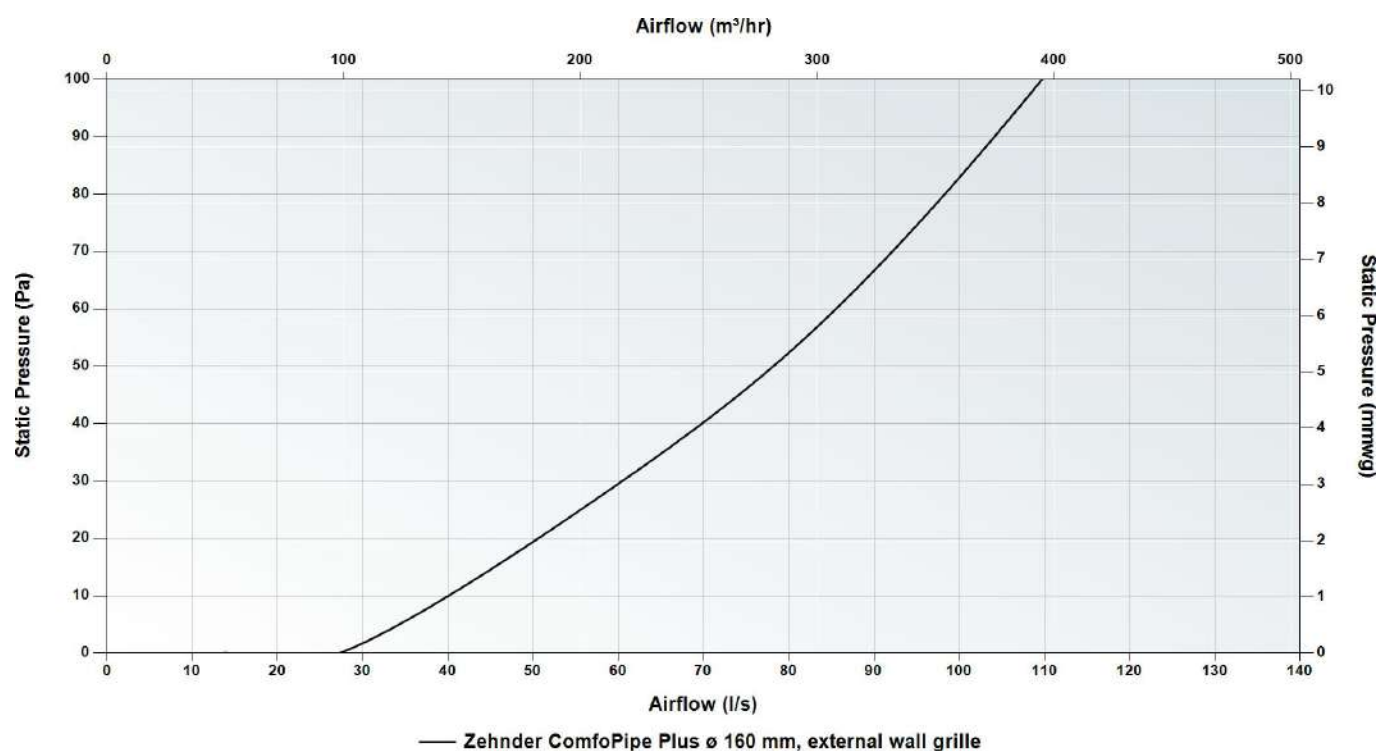
Height	280.8 mm
Width	279.7 mm
Depth	72.9 mm
Weight	1.39 kg
Material	Galvanized steel
Free area	50,124 mm ²
Core drill diameter	250 mm



Dimensions



Pressure Curve



Combined external wall grille, 2 x ø 160 mm connections, right-hand

Article number: 990 430 594

Description

External termination:

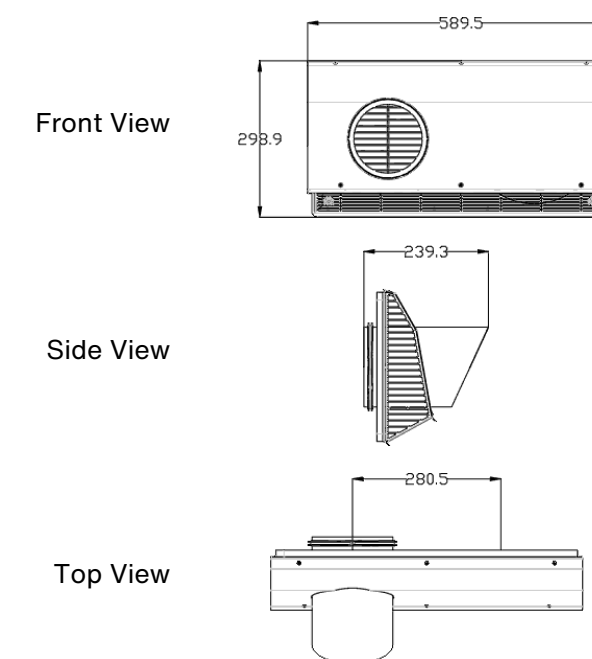
Combined intake and exhaust external termination for insulated duct system to connect to 2 x lengths of ComfoPipe Plus 160 mm (990 328 700) or ø 160 mm self-seal insulated ducting (GD913.1I / GD913.2I). The termination is weather proof with a low pressure drop and tested to ensure recirculation is kept to a minimum.

Technical Specification

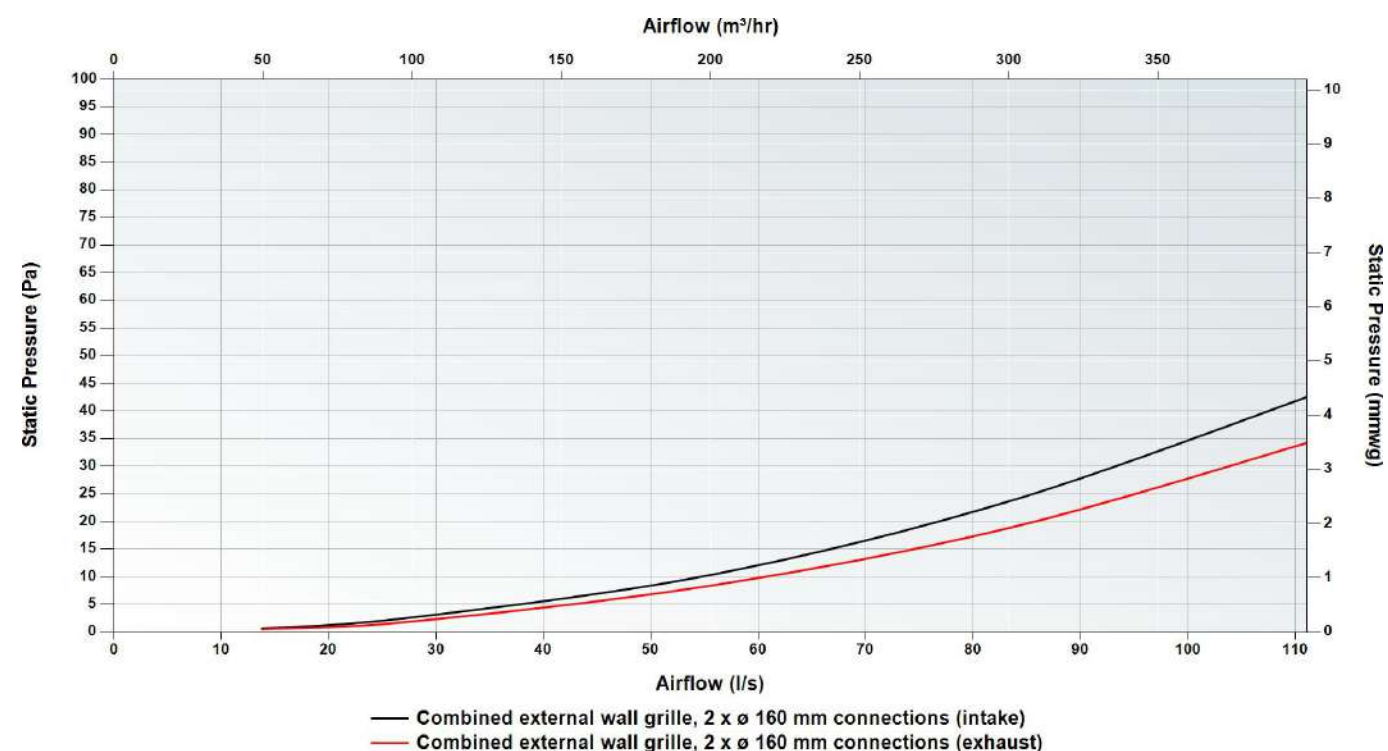
Handing	Right
Height	289.9 mm
Width	589.5 mm
Depth	239.3 mm
Weight	2.9 kg
Material	Stainless steel
Free area	61,066 mm ²
Core drill diameter	2 x 202 mm / 2 x 250 mm (GD913.1I / ComfoPipe Plus 160 mm)
Other info	Recirculation <5% @ 5 m/s



Dimensions



Pressure Curve



Combined external wall grille, 2 x ø 160 mm connections, left-hand

Article number: 990 430 595

Description

External termination:

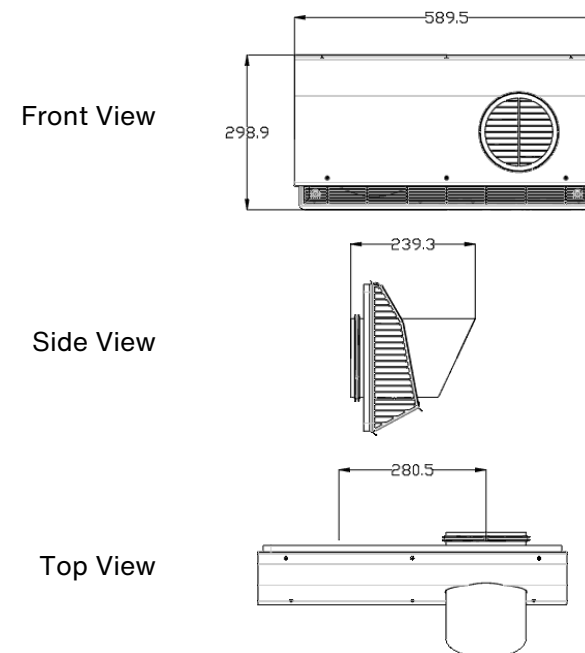
Combined intake and exhaust external termination for insulated duct system to connect to 2 x lengths of ComfoPipe Plus 160 mm (990 328 700) or ø 160 mm self-seal insulated ducting (GD913.1I / GD913.2I). The termination is weather proof with a low pressure drop and tested to ensure recirculation is kept to a minimum.

Technical Specification

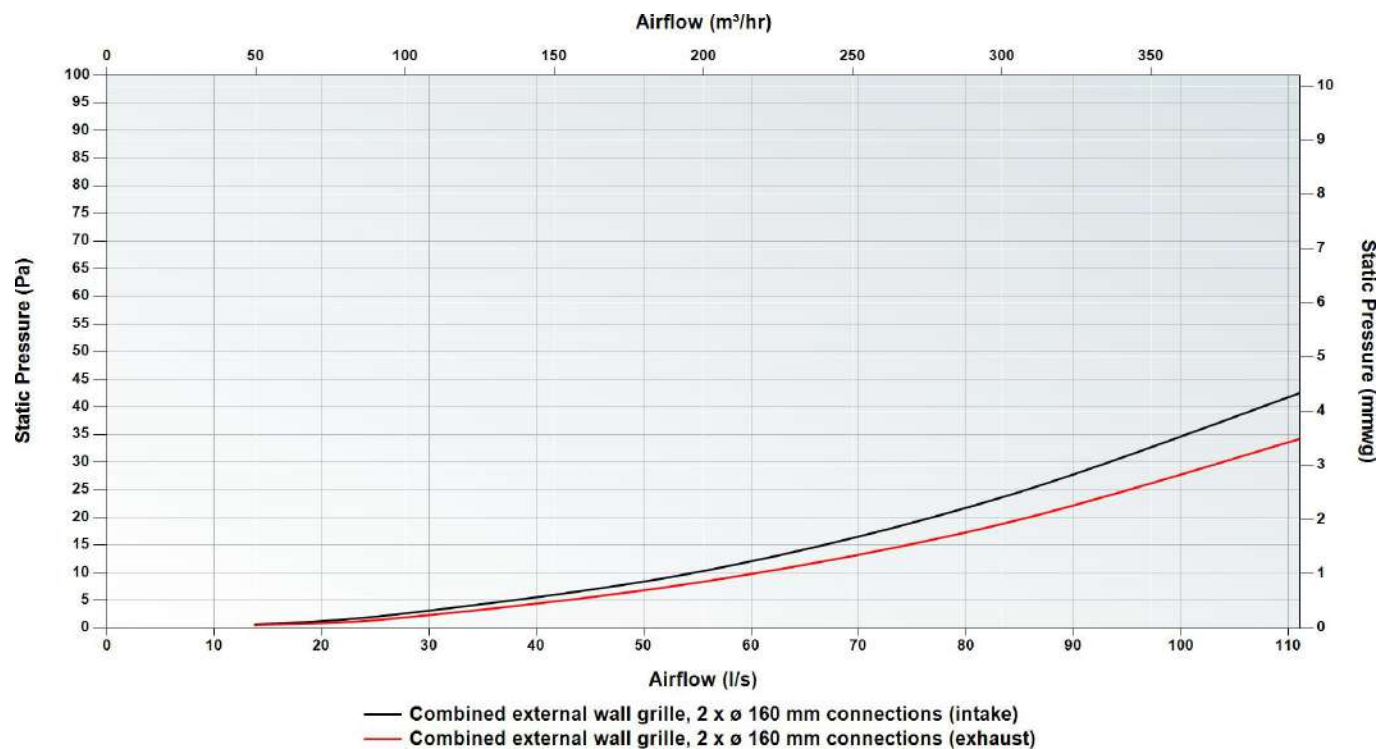
Handing	Left
Height	289.9 mm
Width	589.5 mm
Depth	239.3 mm
Weight	2.9 kg
Material	Stainless steel
Free area	61,066 mm ²
Core drill diameter (GD913.1I / ComfoPipe Plus 160 mm)	2 x 202 mm / 2 x 250 mm
Other info	Recirculation <5% @ 5 m/s



Dimensions

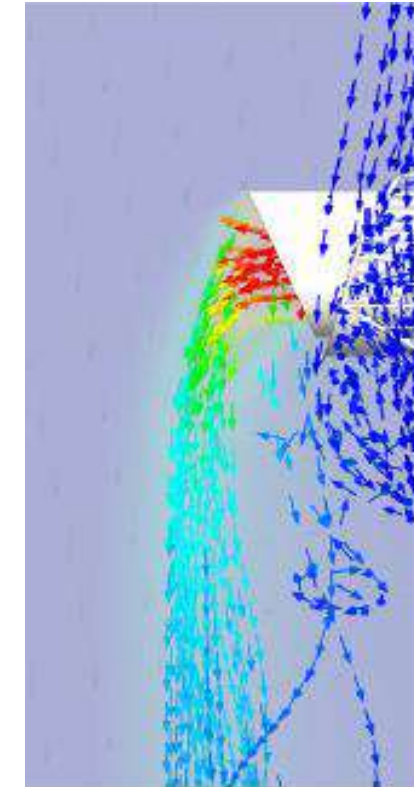


Pressure Curve



Airflow Circulation Diagram

The Zehnder combined external wall grilles are designed to ensure virtually no recirculation of air occurs. With a combined grille, external ductwork can remain short helping to limit thermal losses and maximise comfort and efficiency.



BIM/CAD Components

If you would like to download the BIM / CAD files for this or any other of our products then please visit our BIM library.

[TO VISIT OUR BIM/CAD LIBRARY](#)

[CLICK HERE](#)

Installation Instructions

If you would like to download the installation files for this or any other of our products then please visit our download page by clicking the link below.

[TO VISIT OUR DOWNLOAD PAGE](#)

[CLICK HERE](#)

Consultant Specification

Specification

The ComfoPipe Plus self-seal insulated ductwork shall be constructed of Expanded Polypropylene (EPP) with a thermal resistance of 1.229 m²K/W. It shall be fully tested to meet the thermal conductivity requirements of [DIN 1946-6](#) and have a fire rating of E in accordance with [EN 13501-1](#).

It shall have an operating temperature range of -25 to +80°C and not be designed to exceed flowrates with a velocity in excess of 3 m/s.

The ductwork shall be manufactured by Zehnder.