

CD

Window fans

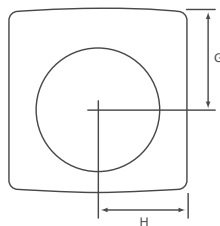


Window Kit Specification Components - For Full Kit

| Size | Fan | Window Kit |
|----------------|------|------------|
| 6" Window Kit | CD6 | EW6 |
| 9" Window Kit | CD9 | EW9 |
| 12" Window Kit | CD12 | EW12 |

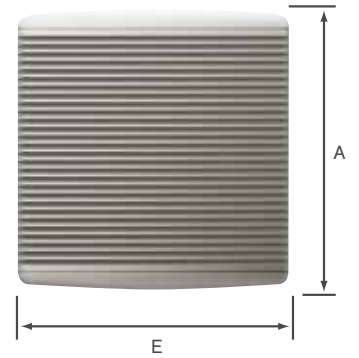
Features and benefits

- Self-adhesive external plate allows easy one person fix on-site
- Thermo-actuated backdraught shutters ensure silent operation and positive closure when fan is off
- Reversible supply or extract, variable speed operation
- Choice of controllers, remote and integral sensors
- Suitable for glazing thicknesses of up to 32mm and wall/panels of 360mm
- Low noise levels
- 6", 9" and 12" models available

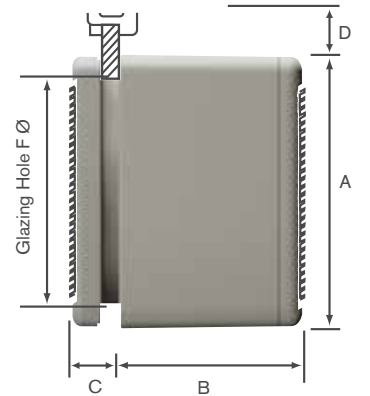


| | 6" | 9" | 12" |
|-------|-----|-----|-----|
| A | 272 | 342 | 420 |
| B | 160 | 158 | 167 |
| C | 37 | 37 | 41 |
| D min | 50 | 50 | 50 |
| E | 269 | 342 | 420 |
| F Ø | 184 | 260 | 337 |
| G | 138 | 175 | 215 |
| H | 135 | 171 | 207 |

Front



Side



Models, control options and key data

*Sound pressure level measured @ 3 metres **See components table above Note: figures are extract only

| Product code | | Sound pressure level dB(A)* | |
|--------------|--|-----------------------------|---------|
| | | Supply | Extract |
| CD6 | 6" commercial fan - installed within a window kit specification** | 41 | 41 |
| CD9 | 9" commercial fan - installed within a window kit specification** | 41 | 41 |
| CD12 | 12" commercial fan - installed within a window kit specification** | 46 | 47 |

Physical specification for complete CD window fan kit

All measurements in millimetres unless otherwise indicated

Weight: 3.6kg
5.2kg
7.4kg

Materials: ABS plastic

Ancillaries for CD

For details of remote or integral sensor options/ switches see page 39. For full kit accessories EW6, EW9, EW12 see page 40

Installation

Wiring: Must comply with IEE Regulations

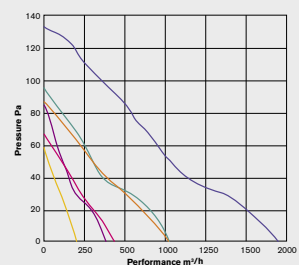
Cable: Ø 1mm² max or min

Fuse: 3 amp (when fan is supplied from a 6A lighting circuit no local fuse is required)

Electrical specification: 230V-50Hz Class I

Consumption: Boost = 38W, Eco = 20W
Boost = 50W, Eco = 37W
Boost = 100W, Eco = 70W

Performance



- Key**
- CD6 Extract
 - CD6 Supply
 - CD9 Extract
 - CD9 Supply
 - CD12 Extract
 - CD12 Supply

CD

Wall fans

2 YEAR WARRANTY

CE MARKED

IPX4 RATED

Wall Kit Specification Components - For Full Kit

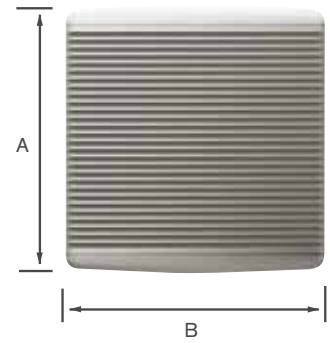
| Size | Fan | Wall Duct | External Grille |
|--------------|------|-----------|-----------------|
| 6" Wall Kit | CD6 | ED6 | EG6 |
| 9" Wall Kit | CD9 | ED9 | EG9 |
| 12" Wall Kit | CD12 | ED12 | EG12 |

Features and benefits

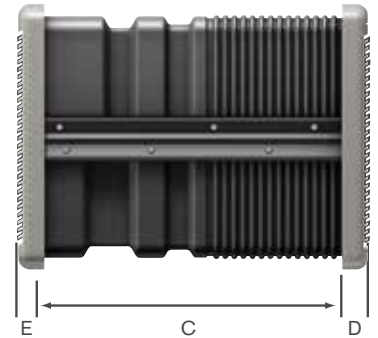
- Models include screw holes to allow easy fix of fan to duct and one person fix
- Thermo-actuated backdraught shutters ensure silent operation and positive closure when fan is off
- Reversible supply or extract, variable speed operation
- Calibration at 10mm intervals on wall duct to aid cutting to correct length
- Suitable for installation into walls up to 380mm
- Choice of controllers, remote and integral sensors
- Low noise levels
- 6", 9" and 12" models available



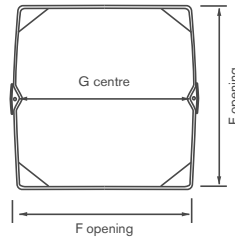
Front



Side



Ducting



| | 6" | 9" | 12" |
|-------|-----|-----|-----|
| A | 272 | 342 | 420 |
| B | 269 | 342 | 420 |
| C min | 200 | 200 | 200 |
| C max | 380 | 380 | 380 |
| D | 30 | 31 | 32 |
| E | 28 | 28 | 40 |
| F | 260 | 330 | 410 |
| G | 238 | 310 | 391 |

Models, control options and key data

*Sound pressure level measured @ 3 metres **See components table above Note: figures are extract only

| Product code | | Sound pressure level dB(A)* | |
|--------------|--|-----------------------------|---------|
| | | Supply | Extract |
| CD6 | 6" commercial fan - installed within a wall kit specification** | 42 | 41 |
| CD9 | 9" commercial fan - installed within a wall kit specification** | 39 | 44 |
| CD12 | 12" commercial fan - installed within a wall kit specification** | 45 | 47 |

Physical specification for complete CD wall fan kit

All measurements in millimetres unless otherwise indicated

Weight: 3.85kg
5.5kg
8.1kg

Materials: ABS plastic

Ancillaries for CD

For details of remote or integral sensor options/ switches see page 39. For full kit accessories ED6, ED9, ED12, EG6, EG9, EG12 see page 40.

Installation

Wiring: Must comply with IEE Regulations

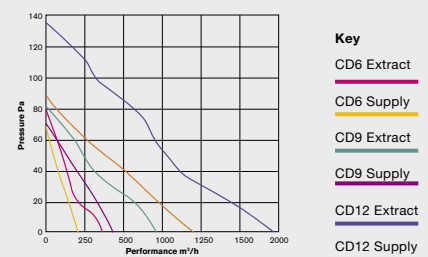
Cable: Ø 1mm² max or min

Fuse: 3 amp (when fan is supplied from a 6A lighting circuit no local fuse is required)

Electrical specification: 230V-50Hz Class I

Consumption: Boost = 38W, Eco = 20W
Boost = 50W, Eco = 37W
Boost = 100W, Eco = 70W

Performance



CD

Refurbishment wall fans



Refurb Wall Kit Specification Components - For Full Kit

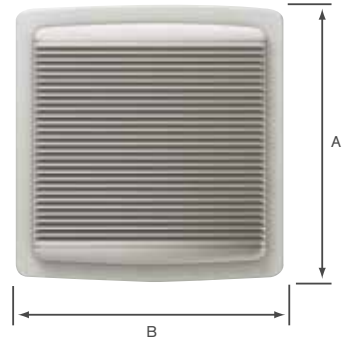
| Size | Fan | Picture Frame |
|---------------------|------|---------------|
| 6" Refurb Wall Kit | CD6 | PFA6 |
| 9" Refurb Wall Kit | CD9 | PFA9 |
| 12" Refurb Wall Kit | CD12 | PFA12 |

Features and benefits

- Designed to fix to existing T Series or Greenwood ED ducting
- Thermo-actuated backdraught shutters ensures silent operation and positive closure when fan is off
- Reversible supply or extract, variable speed operation
- Choice of controllers, remote and integral sensors
- No drilling or plugging required
- Can utilise existing T series, Rangemaster or Ecotronic controllers
- 6", 9" and 12" models available



Front



Side



| | 6" | 9" | 12" |
|---|-----|-----|-----|
| A | 330 | 405 | 495 |
| B | 335 | 425 | 510 |
| C | 170 | 175 | 196 |

Models, control options and key data

*Sound pressure level measured @ 3 metres **See components table above Note: figures are extract only

| Product code | | Sound pressure level dB(A)* | |
|--------------|--|-----------------------------|---------|
| | | Supply | Extract |
| CD6 | 6" commercial fan - installed within a refurbishment wall kit specification** | 42 | 41 |
| CD9 | 9" commercial fan - installed within a refurbishment wall kit specification** | 39 | 44 |
| CD12 | 12" commercial fan - installed within a refurbishment wall kit specification** | 45 | 47 |

Physical specification for complete CD refurbishment wall fan kit

All measurements in millimetres unless otherwise indicated

Weight: 3.7kg
5.13kg
6.85kg

Materials: ABS plastic

Ancillaries for CD

For details of remote or integral sensor options/switches see page 39. For full kit accessories PFA6, PFA9, PFA12 see page 40.

Installation

Wiring: Must comply with IEE Regulations

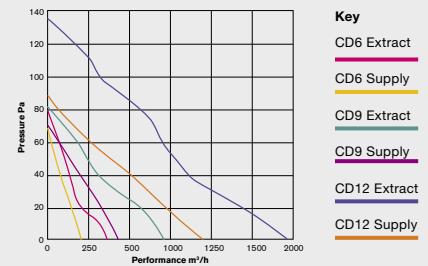
Cable: Ø 1mm² max or min

Fuse: 3 amp (when fan is supplied from a 6A lighting circuit no local fuse is required)

Electrical specification: 230V-50Hz Class I

Consumption: Boost = 38W, Eco = 20W
Boost = 50W, Eco = 37W
Boost = 100W, Eco = 70W

Performance



CD

Ceiling fans

2 YEAR WARRANTY

CE MARKED

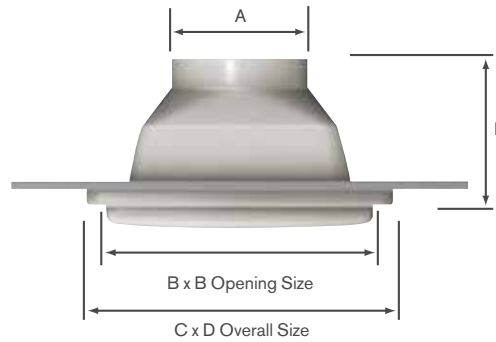
IPX4 RATED

Ceiling Fan Kit Specification Components - For Full Kit

| Size | Fan | Ceiling Adaptor Kit |
|-----------------|------|---------------------|
| 6" Ceiling Kit | CD6 | CK6 |
| 9" Ceiling Kit | CD9 | CK9 |
| 12" Ceiling Kit | CD12 | CK12 |

Features and benefits

- Designed for ceiling installation
- Picture frame adaptor for retro fit installation
- Thermo-actuated backdraught shutters ensures silent operation and positive closure when fan is off
- Choice of controllers, remote and integral sensors
- Fan can be disconnected with ease for replacement
- 6", 9" and 12" models available



| | 6" | 9" | 12" |
|---|-----|-----|-----|
| A | 200 | 250 | 350 |
| B | 270 | 340 | 430 |
| C | 300 | 405 | 495 |
| D | 335 | 425 | 510 |
| E | 215 | 215 | 235 |

Models, control options and key data

*Sound pressure level measured @ 3 metres **See components table above Note: figures are extract only

| Product code | | Sound pressure level dB(A)* | |
|--------------|---|-----------------------------|---------|
| | | Supply | Extract |
| CD6 | 6" commercial fan - installed within a ceiling kit specification** | 42 | 42 |
| CD9 | 9" commercial fan - installed within a ceiling kit specification** | 42 | 38 |
| CD12 | 12" commercial fan - installed within a ceiling kit specification** | 48 | 46 |

Physical specification for complete CD ceiling fan kit

All measurements in millimetres unless otherwise indicated

Weight: 2.6kg
3.7kg
5.2kg

Materials: ABS plastic

Ancillaries for CD

For details of remote or integral sensor options/switches see page 39. CK6, CK9, CK12 see page 40.

Installation

Wiring: Must comply with IEE Regulations

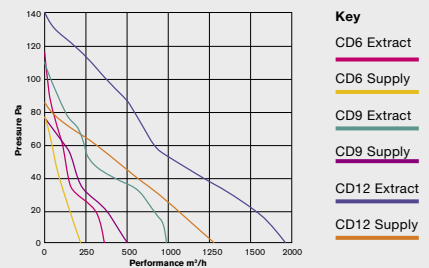
Cable: Ø 1mm² max or min

Fuse: 3 amp (when fan is supplied from a 6A lighting circuit no local fuse is required)

Electrical specification: 230V-50Hz Class I

Consumption: Boost = 38W, Eco = 20W
Boost = 50W, Eco = 37W
Boost = 100W, Eco = 70W

Performance



CD

Pitched roof fans

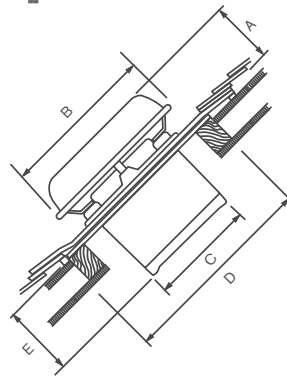
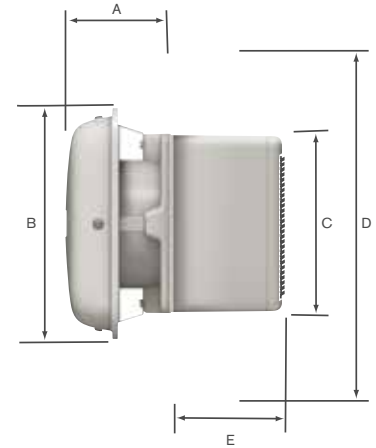
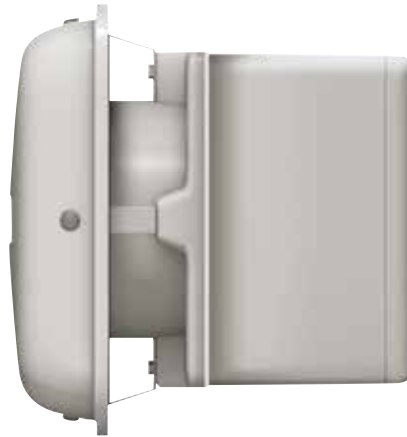


Pitched Roof Fan Kit Specification Components - For Full Kit

| Size | Fan | Window Spacer | Weather Terminal | Wall Fixing Plate |
|---------------------|------|---------------|------------------|-------------------|
| 6" Pitched Roof Kit | CD6 | WS6 | WT6 | WFP6 |
| 9" Pitched Roof Kit | CD9 | WS9 | WT9 | WFP9 |
| 12" Pitched Roof | CD12 | WS12 | WT12 | WFP12 |

Features and benefits

- Reversible supply or extract, variable speed operation
- Thermo-actuated backdraught shutters ensures silent operation and positive closure when fan is off
- Choice of controllers, remote and integral sensors
- 6", 9" and 12" models available



| | 6" | 9" | 12" |
|--------------|-----|-----|-----|
| A | 170 | 180 | 185 |
| B | 360 | 425 | 506 |
| C | 272 | 342 | 420 |
| D | 400 | 475 | 550 |
| E | 160 | 158 | 167 |
| Trimmed | 320 | 385 | 450 |
| Opening Size | x | x | x |
| | 320 | 385 | 450 |

Weathering supplied by others.

Models, control options and key data

*Sound pressure level measured @ 3 metres **See components table above Note: figures are extract only

| Product code | | Sound pressure level dB(A)* | |
|--------------|--|-----------------------------|---------|
| | | Supply | Extract |
| CD6 | 6" commercial fan - installed within a pitched roof kit specification** | 44 | 41 |
| CD9 | 9" commercial fan - installed within a pitched roof kit specification** | 43 | 40 |
| CD12 | 12" commercial fan - installed within a pitched roof kit specification** | 45 | 48 |

Physical specification for complete CD pitched roof fan kit

All measurements in millimetres unless otherwise indicated

Weight: 4.0kg
8.9kg
11.8kg

Materials: ABS plastic

Ancillaries for CD

For details of remote or integral sensor options/ switches see page 39. For full kit accessories WS6, WS9, WS12, WT6, WT9, WT12, WF6, WF9, WF12, WFP6, WFP9, WFP12 see page 40.

Installation

Wiring: Must comply with IEE Regulations

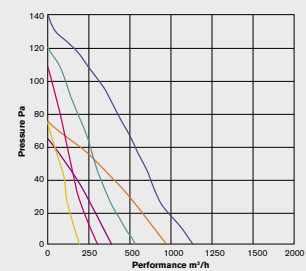
Cable: Ø 1mm² max or min

Fuse: 3 amp (when fan is supplied from a 6A lighting circuit no local fuse is required)

Electrical specification: 230V-50Hz Class I

Consumption: Boost = 38W, Eco = 20W
Boost = 50W, Eco = 37W
Boost = 100W, Eco = 70W

Performance



Key
CD6 Extract
CD6 Supply
CD9 Extract
CD9 Supply
CD12 Extract
CD12 Supply

CD

Flat roof fans

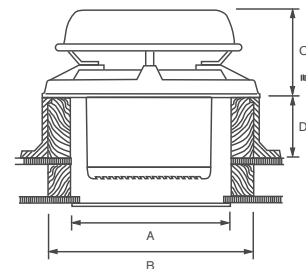


Flat Roof Fan Kit Specification Components - For Full Kit

| Size | Fan | Wall Spacer | Roof Terminal |
|-------------------|------|-------------|---------------|
| 6" Flat Roof Kit | CD6 | WS6 | RT6 |
| 9" Flat Roof Kit | CD9 | WS9 | RT9 |
| 12" Flat Roof Kit | CD12 | WS12 | RT12 |

Features and benefits

- Reversible supply or extract, variable speed operation
- Thermo-actuated backdraught shutters ensures silent operation and positive closure when fan is off
- Choice of controllers, remote and integral sensors
- 6", 9" and 12" models available



| | 6" | 9" | 12" |
|-------|-----|-----|-----|
| A min | 400 | 400 | 500 |
| B | 600 | 600 | 695 |
| C | 235 | 245 | 266 |
| D min | 150 | 150 | 150 |

Models, control options and key data

*Sound pressure level measured @ 3 metres **See components table above Note: figures are extract only

| Product code | | Sound pressure level dB(A)* | |
|--------------|---|-----------------------------|---------|
| | | Supply | Extract |
| CD6 | 6" commercial fan - installed within a flat roof kit specification** | 44 | 41 |
| CD9 | 9" commercial fan - installed within a flat roof kit specification** | 43 | 40 |
| CD12 | 12" commercial fan - installed within a flat roof kit specification** | 45 | 48 |

Physical specification for complete CD flat roof fan kit

All measurements in millimetres unless otherwise indicated

Weight: 6.15kg
9.10kg
11.0kg

Materials: ABS plastic

Ancillaries for CD
For details of remote or integral sensor options/ switches see page 39. For full kit accessories WS6, WS9, WS12, RT6, RT9, RT12 see page 40.

Installation

- Wiring:** Must comply with IEE Regulations
- Cable:** Ø 1mm² max or min
- Fuse:** 3 amp (when fan is supplied from a 6A lighting circuit no local fuse is required)
- Electrical specification:** 230V-50Hz Class I
- Consumption:** Boost = 38W, Eco = 20W
Boost = 50W, Eco = 37W
Boost = 100W, Eco = 70W

Performance

