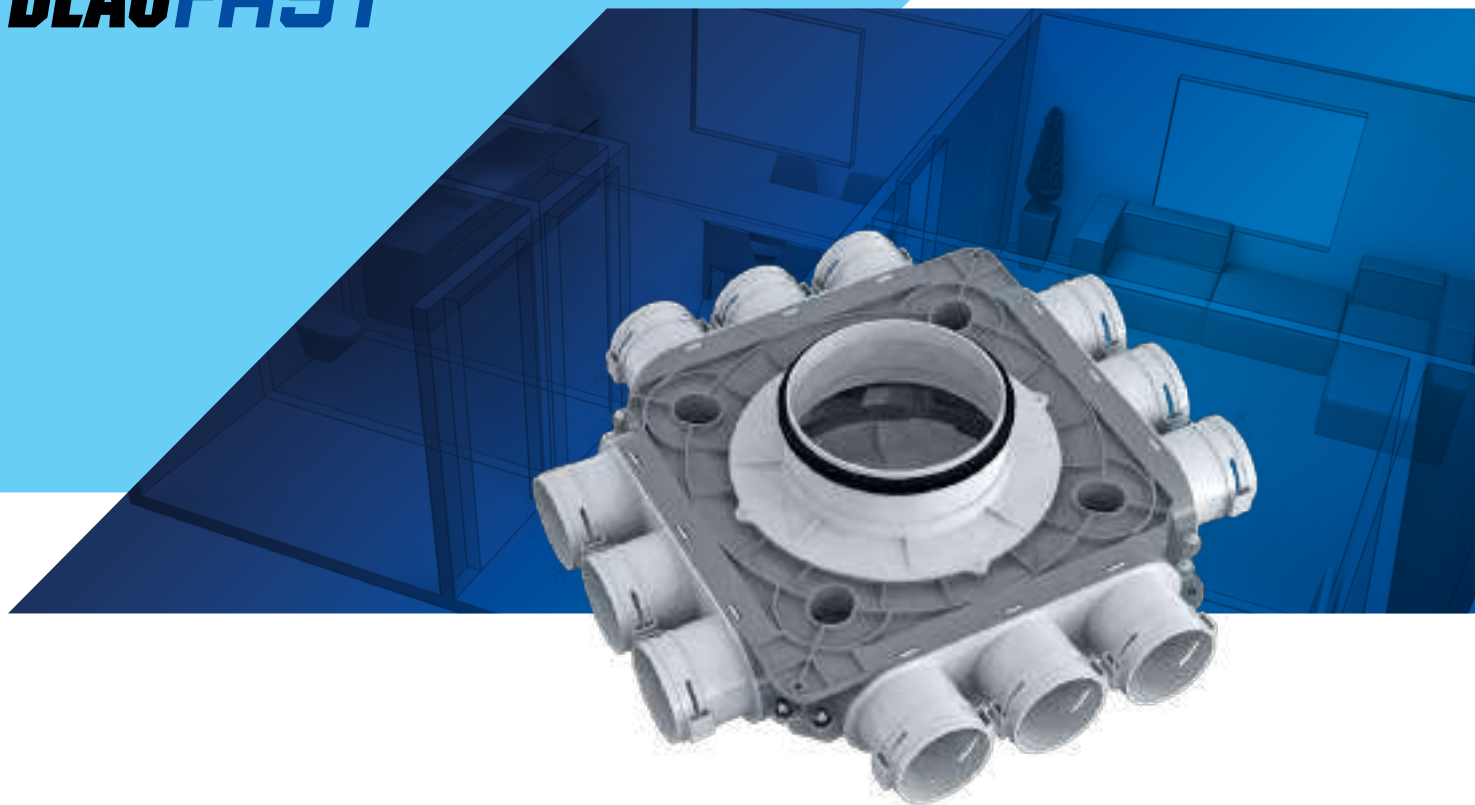


BLAUFAST



BLAUFAST MODULAR AIR DISTRIBUTION BOXES

Flexible solution for efficient ventilation

CONTENTS

SYSTEM 63

Connectors 1

Air distribution boxes 2

SYSTEM 75

Connectors 4

Air distribution boxes 5

SYSTEM 90

Connectors 7

Air distribution boxes 8

SYSTEM 63

CONNECTORS

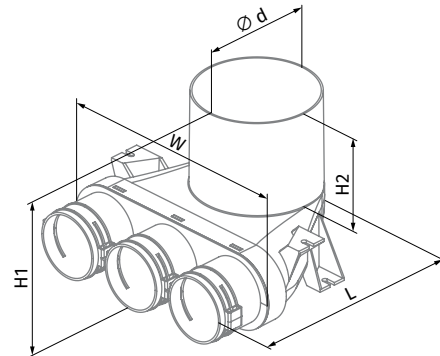
CEILING-MOUNTED PLASTIC CONNECTOR BLAUFAST RPZ 125/63x3 01

For supply and exhaust systems in residential premises.
Ceiling mounted.
Connecting the ventilation grille to \varnothing 63 mm ducts.



- Connection diameters: 63 and 125 mm.
- Ducts are fastened with **BlauFast S** locks, purchased separately.
- The duct is fitted with **BlauFast RL 63** slip-on seal to retain air-tightness class "C" (available as an accessory).
- Made of polypropylene (PP) with thermoplastic elastomer (SEBS).
- Operating temperature: from -20 to +60 °C.

Dimensions [mm]	\varnothing d (inner)	H1	H2	L	W
BlauFast RPZ 125/63x3 01	127	183	100	243	266



ACCESSORIES

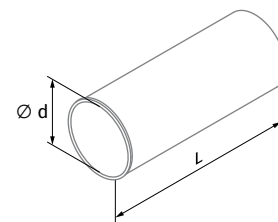
PLENUM DUCT BLAUFAST RKPZ 125

For supply and exhaust systems in residential premises.
For extension of ducts of ceiling-mounted **BlauFast RPZ 125/63x3 01** plenums.



- Connection diameter: 125 mm.
- Made of polypropylene (PP) with thermoplastic elastomer (SEBS).
- Operating temperature: from -20 to +60 °C.

Dimensions [mm]	\varnothing d (inner)	L
BlauFast RKPZ 125	127	302



AIR DISTRIBUTION BOXES

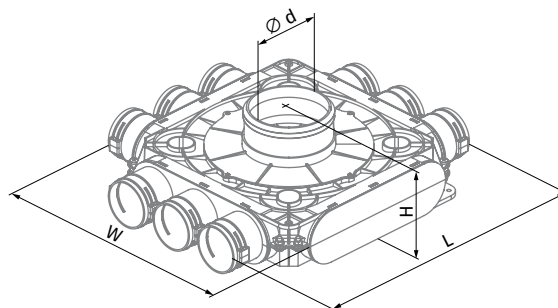
PLASTIC AIR DISTRIBUTION BOX BLAUFast SR 125/63x9 50P

For supply and exhaust systems in residential premises. Distribution of air from the ventilation unit through the ducts.



- Connection diameter: 63 mm.
- Ducts are fastened with **BlauFast S** locks, purchased separately.
- The duct is fitted with **BlauFast RL 63** slip-on seal to retain air-tightness class "C" (available as an accessory).
- Made of polypropylene (PP) with thermoplastic elastomer (SEBS).
- Operating temperature: from -20 to +60 °C.

Dimensions [mm]	Ø d (inner)	H	L	W
BlauFast SR 125/63x9 50P	113	140	464	408



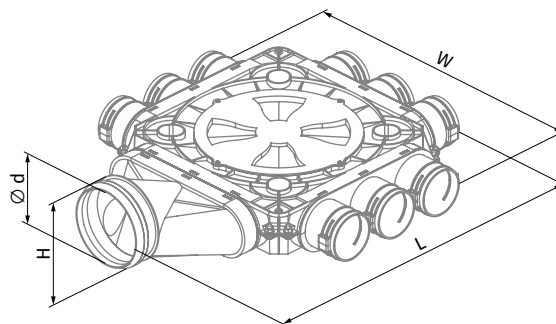
PLASTIC AIR DISTRIBUTION BOX BLAUFast SR 125/63x9 51P

For supply and exhaust systems in residential premises. Distribution of air from the ventilation unit through the ducts.



- Connection diameter: 63 mm.
- Ducts are fastened with **BlauFast S** locks, purchased separately.
- The duct is fitted with **BlauFast RL 63** slip-on seal to retain air-tightness class "C" (available as an accessory).
- Made of polypropylene (PP) with thermoplastic elastomer (SEBS).
- Operating temperature: from -20 to +60 °C.

Dimensions [mm]	Ø d1 (inner)	H	L	W
BlauFast SR 125/63x9 51P	113	128	572	464



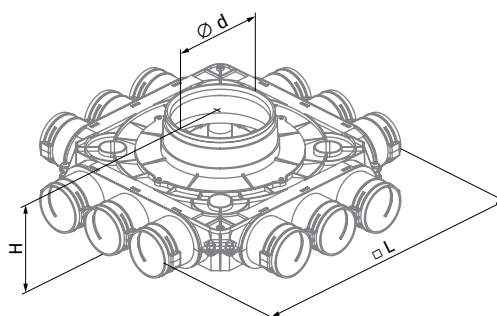
PLASTIC AIR DISTRIBUTION BOX BLAUFast SR 150/63x12 50P BLAUFast SR 160/63x12 50P BLAUFast SR 200/63x12 50P

For supply and exhaust systems in residential premises. Distribution of air from the ventilation unit through the ducts.



- Connection diameter: 63 mm.
- Ducts are fastened with **BlauFast S** locks, purchased separately.
- The duct is fitted with **BlauFast RL 63** slip-on seal to retain air-tightness class "C" (available as an accessory).
- Made of polypropylene (PP) with thermoplastic elastomer (SEBS).
- Operating temperature: from -20 to +60 °C.

Dimensions [mm]	Ø d1 (inner)	H	L
BlauFast SR 150/63x12 50P	138	140	464
BlauFast SR 160/63x12 50P	148	140	464
BlauFast SR 200/63x12 50P	188	140	464



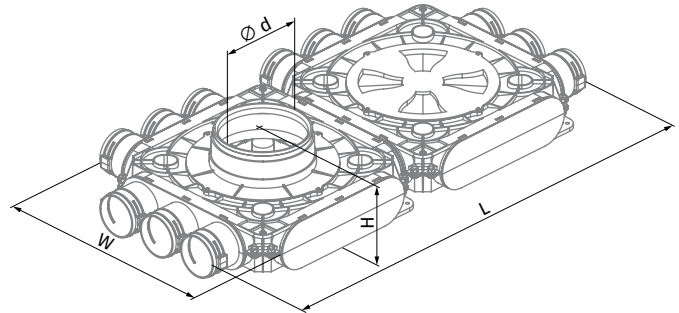
PLASTIC AIR
DISTRIBUTION BOX
BLAUFAST SR 150/63x12 51P
BLAUFAST SR 160/63x12 51P
BLAUFAST SR 200/63x12 51P



For supply and exhaust systems
in residential premises.
Distribution of air from the
ventilation unit through the ducts.

- Connection diameter: 63 mm.
- Ducts are fastened with **BlauFast S** locks, purchased separately.
- The duct is fitted with **BlauFast RL 63** slip-on seal to retain air-tightness class "C" (available as an accessory).
- Made of polypropylene (PP) with thermoplastic elastomer (SEBS).
- Operating temperature: from -20 to +60 °C.

Dimensions [mm]	Ø d (inner)	H	L	W
BlauFast SR 150/63x12 51P	138	140	813	408
BlauFast SR 160/63x12 51P	148	140	813	408
BlauFast SR 200/63x12 51P	188	140	813	408



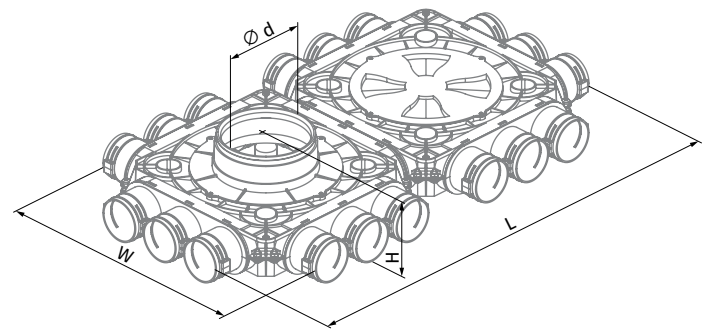
PLASTIC AIR
DISTRIBUTION BOX
BLAUFAST SR 150/63x18 50P
BLAUFAST SR 160/63x18 50P
BLAUFAST SR 200/63x18 50P



For supply and exhaust systems
in residential premises.
Distribution of air from the
ventilation unit through the ducts.

- Connection diameter: 63 mm.
- Ducts are fastened with **BlauFast S** locks, purchased separately.
- The duct is fitted with **BlauFast RL 63** slip-on seal to retain air-tightness class "C" (available as an accessory).
- Made of polypropylene (PP) with thermoplastic elastomer (SEBS).
- Operating temperature: from -20 to +60 °C.

Dimensions [mm]	Ø d (inner)	H	L	W
BlauFast SR 150/63x18 50P	138	140	813	464
BlauFast SR 160/63x18 50P	148	140	813	464
BlauFast SR 200/63x18 50P	188	140	813	464



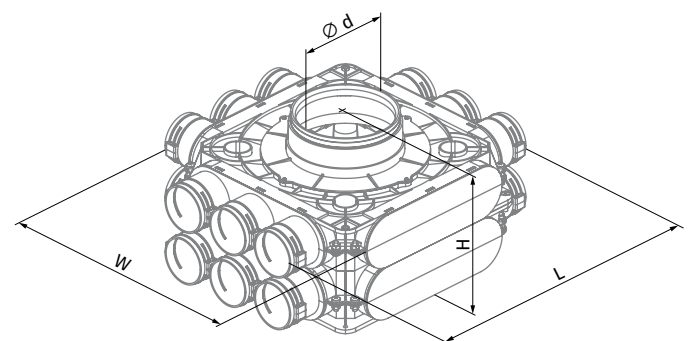
PLASTIC AIR
DISTRIBUTION BOX
BLAUFAST SR 150/63x18 51P
BLAUFAST SR 160/63x18 51P
BLAUFAST SR 200/63x18 51P



For supply and exhaust systems
in residential premises.
Distribution of air from the
ventilation unit through the ducts.

- Connection diameter: 63 mm.
- Ducts are fastened with **BlauFast S** locks, purchased separately.
- The duct is fitted with **BlauFast RL 63** slip-on seal to retain air-tightness class "C" (available as an accessory).
- Made of polypropylene (PP) with thermoplastic elastomer (SEBS).
- Operating temperature: from -20 to +60 °C.

Dimensions [mm]	Ø d (inner)	H	L	W
BlauFast SR 150/63x18 51P	138	223	464	408
BlauFast SR 160/63x18 51P	148	223	464	408
BlauFast SR 200/63x18 51P	188	223	464	408



SYSTEM 75

CONNECTORS

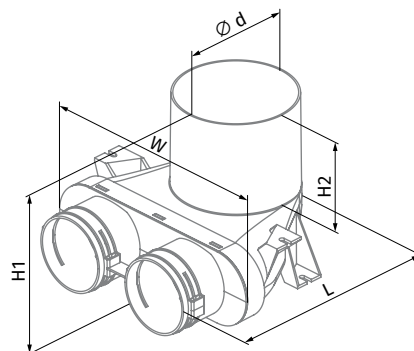
CEILING-MOUNTED PLASTIC CONNECTOR BLAUFast RPZ 125/75x2 01

For supply and exhaust systems in residential premises. Ceiling mounted. Connecting the ventilation grille to $\varnothing 75$ mm ducts.



- Connection diameters: 75 mm.
- Ducts are fastened with **BlauFast S** locks, purchased separately.
- The duct is fitted with **BlauFast RL 75** slip-on seal to retain air-tightness class "C" (available as an accessory).
- Made of polypropylene (PP) with thermoplastic elastomer (SEBS).
- Operating temperature: from -20 to $+60$ °C.

Dimensions [mm]	$\varnothing d$ (inner)	H1	H2	L	W
BlauFast RPZ 125/75x2 01	127	183	100	243	266



ACCESSORIES

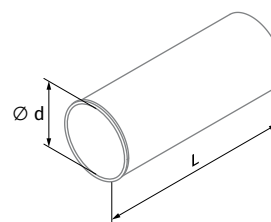
PLENUM DUCT BLAUFast RKPZ 125

For supply and exhaust systems in residential premises. For extension of ducts of ceiling-mounted **BlauFast RPZ 125/75x2 01** plenums.



- Connection diameter: 125 mm.
- Made of polypropylene (PP) with thermoplastic elastomer (SEBS).
- Operating temperature: from -20 to $+60$ °C.

Dimensions [mm]	$\varnothing d$ (inner)	L
BlauFast RKPZ 125	127	302



AIR DISTRIBUTION BOXES

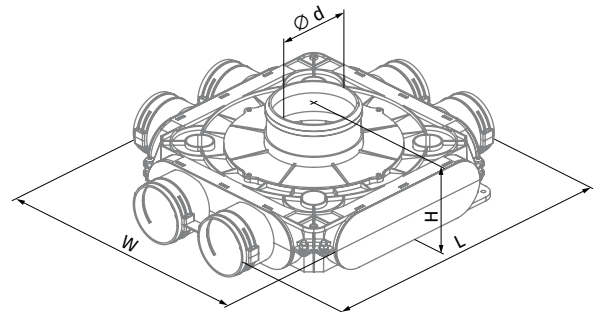
PLASTIC AIR DISTRIBUTION BOX BLAUFAST SR 125/75x6 50P

For supply and exhaust systems in residential premises. Distribution of air from the ventilation unit through the ducts.



- Connection diameter: 75 mm.
- Ducts are fastened with **BlauFast S** locks, purchased separately.
- The duct is fitted with **BlauFast RL 75** slip-on seal to retain air-tightness class "C" (available as an accessory).
- Made of polypropylene (PP) with thermoplastic elastomer (SEBS).
- Operating temperature: from -20 to +60 °C.

Dimensions [mm]	Ø d (inner)	H	L	W
BlauFast SR 125/75x6 50P	113	140	468	410



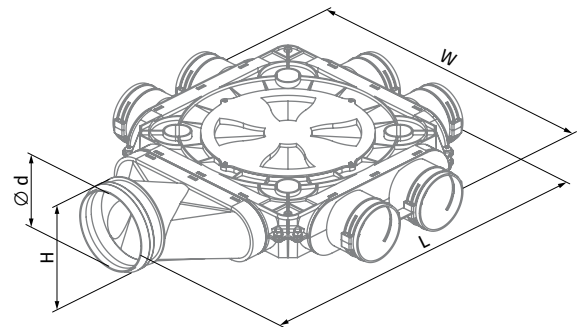
PLASTIC AIR DISTRIBUTION BOX BLAUFAST SR 125/75x6 51P

For supply and exhaust systems in residential premises. Distribution of air from the ventilation unit through the ducts.



- Connection diameter: 75 mm.
- Ducts are fastened with **BlauFast S** locks, purchased separately.
- The duct is fitted with **BlauFast RL 75** slip-on seal to retain air-tightness class "C" (available as an accessory).
- Made of polypropylene (PP) with thermoplastic elastomer (SEBS).
- Operating temperature: from -20 to +60 °C.

Dimensions [mm]	Ø d1 (inner)	H	L	W
BlauFast SR 125/75x6 51P	113	128	574	468



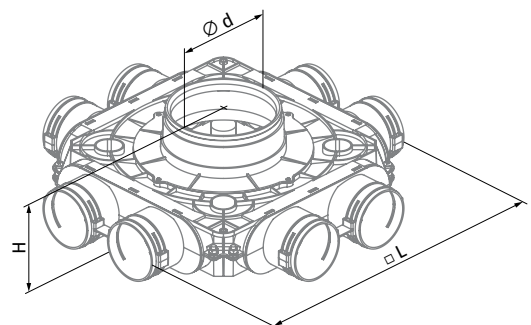
PLASTIC AIR DISTRIBUTION BOX BLAUFAST SR 150/75x8 50P BLAUFAST SR 160/75x8 50P

For supply and exhaust systems in residential premises. Distribution of air from the ventilation unit through the ducts.



- Connection diameter: 75 mm.
- Ducts are fastened with **BlauFast S** locks, purchased separately.
- The duct is fitted with **BlauFast RL 75** slip-on seal to retain air-tightness class "C" (available as an accessory).
- Made of polypropylene (PP) with thermoplastic elastomer (SEBS).
- Operating temperature: from -20 to +60 °C.

Dimensions [mm]	Ø d1 (inner)	H	L
BlauFast SR 150/75x8 50P	138	140	468
BlauFast SR 160/75x8 50P	148	140	468



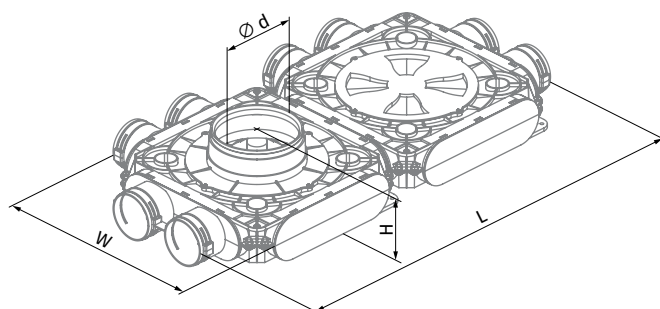
**PLASTIC AIR
DISTRIBUTION BOX
BLAUFAST SR 150/75x8 51P
BLAUFAST SR 160/75x8 51P**



For supply and exhaust systems in residential premises. Distribution of air from the ventilation unit through the ducts.

- Connection diameter: 75 mm.
- Ducts are fastened with **BlauFast S** locks, purchased separately.
- The duct is fitted with **BlauFast RL 75** slip-on seal to retain air-tightness class "C" (available as an accessory).
- Made of polypropylene (PP) with thermoplastic elastomer (SEBS).
- Operating temperature: from -20 to +60 °C.

Dimensions [mm]	Ø d (inner)	H	L	W
BlauFast SR 150/75x8 51P	138	140	817	410
BlauFast SR 160/75x8 51P	148	140	817	410



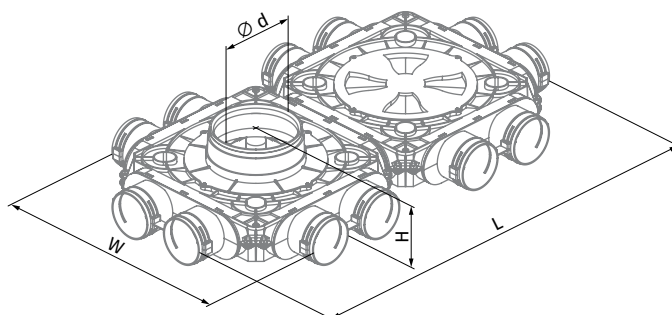
**PLASTIC AIR
DISTRIBUTION BOX
BLAUFAST SR 150/75x12 50P
BLAUFAST SR 160/75x12 50P
BLAUFAST SR 200/75x12 50P**



For supply and exhaust systems in residential premises. Distribution of air from the ventilation unit through the ducts.

- Connection diameter: 75 mm.
- Ducts are fastened with **BlauFast S** locks, purchased separately.
- The duct is fitted with **BlauFast RL 75** slip-on seal to retain air-tightness class "C" (available as an accessory).
- Made of polypropylene (PP) with thermoplastic elastomer (SEBS).
- Operating temperature: from -20 to +60 °C.

Dimensions [mm]	Ø d (inner)	H	L	W
BlauFast SR 150/75x12 50P	138	140	817	468
BlauFast SR 160/75x12 50P	148	140	817	468
BlauFast SR 200/75x12 50P	188	140	817	468



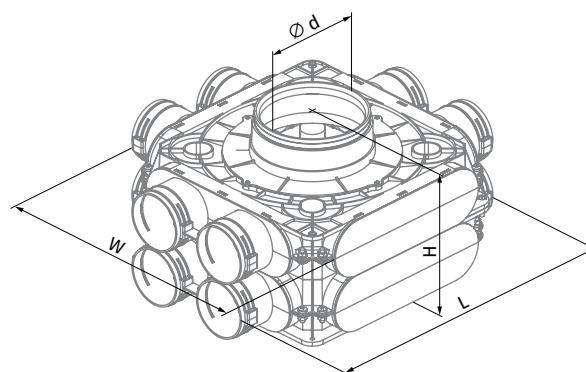
**PLASTIC AIR
DISTRIBUTION BOX
BLAUFAST SR 150/75x12 51P
BLAUFAST SR 160/75x12 51P
BLAUFAST SR 200/75x12 51P**



For supply and exhaust systems in residential premises. Distribution of air from the ventilation unit through the ducts.

- Connection diameter: 75 mm.
- Ducts are fastened with **BlauFast S** locks, purchased separately.
- The duct is fitted with **BlauFast RL 75** slip-on seal to retain air-tightness class "C" (available as an accessory).
- Made of polypropylene (PP) with thermoplastic elastomer (SEBS).
- Operating temperature: from -20 to +60 °C.

Dimensions [mm]	Ø d (inner)	H	L	W
BlauFast SR 150/75x12 51P	138	223	468	410
BlauFast SR 160/75x12 51P	148	223	468	410
BlauFast SR 200/75x12 51P	188	223	468	410



SYSTEM 90

CONNECTORS

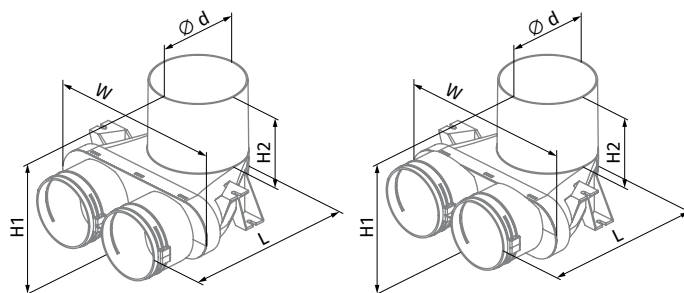
CEILING-MOUNTED PLASTIC CONNECTOR BLAUFAST RPZ 125/90x2 BLAUFAST RPZ 125/90x2 01

For supply and exhaust systems in residential premises.
For under-ceiling mounting with 125 mm duct downwards.
Connecting the ventilation grille to $\varnothing 90$ mm ducts.



- Connection diameters: 90 and 125 mm.
- Ducts are fastened with **BlauFast S** locks, purchased separately.
- The duct is fitted with **BlauFast RL 90** slip-on seal to retain air-tightness class "C" (available as an accessory).
- Made of polypropylene (PP) with thermoplastic elastomer (SEBS).
- Operating temperature: from -20 to +60 °C.

Dimensions [mm]	$\varnothing d$ (inner)	H1	H2	L	W
BlauFast RPZ 125/90x2	127	183	100	257	266
BlauFast RPZ 125/90x2 01	127	183	100	257	266



BlauFast RPZ 125/90x2

BlauFast RPZ 125/90x2 01

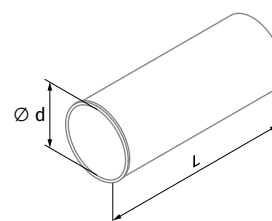
ACCESSORIES

PLENUM DUCT BLAUFAST RKPZ 125

For supply and exhaust systems in residential premises.
For extension of ducts of ceiling-mounted **BlauFast RPZ 125/90x2**, **BlauFast RPZ 125/90x2 01** plenums.



Dimensions [mm]	$\varnothing d$ (inner)	L
BlauFast RKPZ 125	127	302



- Connection diameter: 125 mm.
- Made of polypropylene (PP) with thermoplastic elastomer (SEBS).
- Operating temperature: from -20 to +60 °C.

AIR DISTRIBUTION BOXES

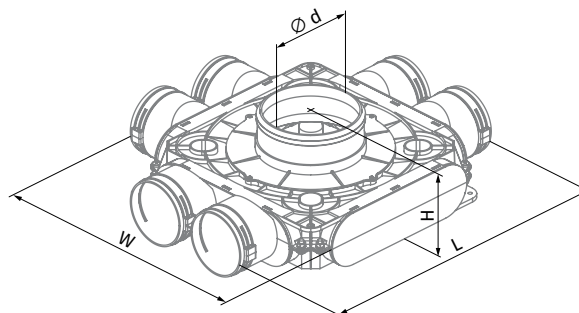
PLASTIC AIR DISTRIBUTION BOX BLAUFast SR 125/90x6 50P

For supply and exhaust systems in residential premises.
Distribution of air from the ventilation unit through the ducts.



- Connection diameter: 90 mm.
- Ducts are fastened with **BlauFast S** locks, purchased separately.
- The duct is fitted with **BlauFast RL 90** slip-on seal to retain air-tightness class "C" (available as an accessory).
- Made of polypropylene (PP) with thermoplastic elastomer (SEBS).
- Operating temperature: from -20 to +60 °C.

Dimensions [mm]	Ø d (inner)	H	L	W
BlauFast SR 125/90x6 50P	113	140	496	424



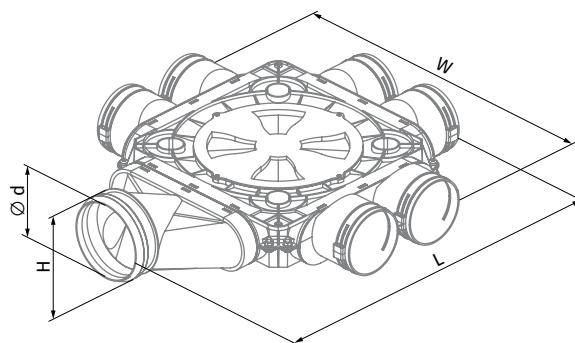
PLASTIC AIR DISTRIBUTION BOX BLAUFast SR 125/90x6 51P

For supply and exhaust systems in residential premises.
Distribution of air from the ventilation unit through the ducts.



- Connection diameter: 90 mm.
- Ducts are fastened with **BlauFast S** locks, purchased separately.
- The duct is fitted with **BlauFast RL 90** slip-on seal to retain air-tightness class "C" (available as an accessory).
- Made of polypropylene (PP) with thermoplastic elastomer (SEBS).
- Operating temperature: from -20 to +60 °C.

Dimensions [mm]	Ø d1 (inner)	H	L	W
BlauFast SR 125/90x6 51P	113	128	588	496



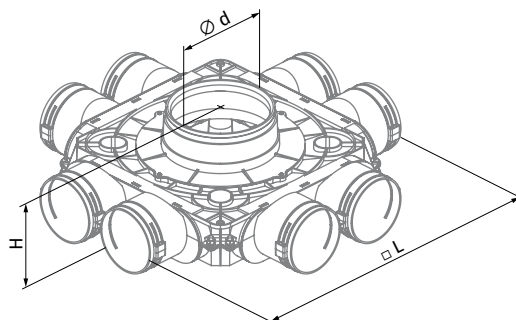
PLASTIC AIR DISTRIBUTION BOX BLAUFast SR 150/90x8 50P BLAUFast SR 160/90x8 50P BLAUFast SR 200/90x8 50P

For supply and exhaust systems in residential premises.
Distribution of air from the ventilation unit through the ducts.



- Connection diameter: 90 mm.
- Ducts are fastened with **BlauFast S** locks, purchased separately.
- The duct is fitted with **BlauFast RL 90** slip-on seal to retain air-tightness class "C" (available as an accessory).
- Made of polypropylene (PP) with thermoplastic elastomer (SEBS).
- Operating temperature: from -20 to +60 °C.

Dimensions [mm]	Ø d1 (inner)	H	L
BlauFast SR 150/90x8 50P	138	140	496
BlauFast SR 160/90x8 50P	148	140	496
BlauFast SR 200/90x8 50P	188	140	496



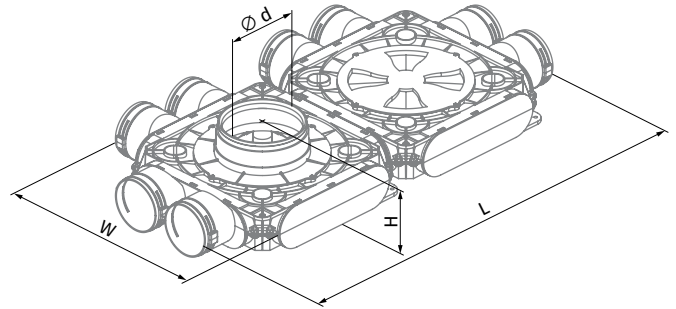
PLASTIC AIR
DISTRIBUTION BOX
BLAUFAST SR 150/90x8 51P
BLAUFAST SR 160/90x8 51P
BLAUFAST SR 200/90x8 51P



For supply and exhaust systems in residential premises. Distribution of air from the ventilation unit through the ducts.

- Connection diameter: 90 mm.
- Ducts are fastened with **BlauFast S** locks, purchased separately.
- The duct is fitted with **BlauFast RL 90** slip-on seal to retain air-tightness class "C" (available as an accessory).
- Made of polypropylene (PP) with thermoplastic elastomer (SEBS).
- Operating temperature: from -20 to +60 °C.

Dimensions [mm]	Ø d (inner)	H	L	W
BlauFast SR 150/90x8 51P	138	140	845	424
BlauFast SR 160/90x8 51P	148	140	845	424
BlauFast SR 200/90x8 51P	188	140	845	424



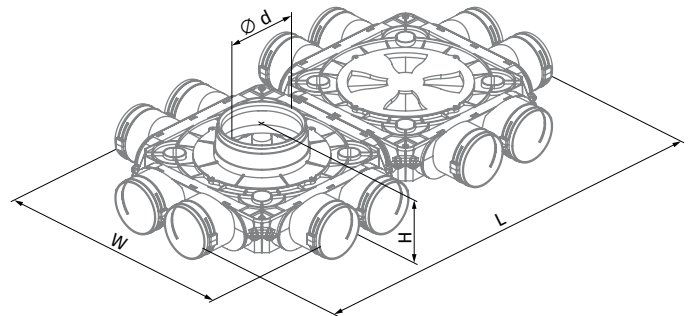
PLASTIC AIR
DISTRIBUTION BOX
BLAUFAST SR 150/90x12 50P
BLAUFAST SR 160/90x12 50P
BLAUFAST SR 200/90x12 50P



For supply and exhaust systems in residential premises. Distribution of air from the ventilation unit through the ducts.

- Connection diameter: 90 mm.
- Ducts are fastened with **BlauFast S** locks, purchased separately.
- The duct is fitted with **BlauFast RL 90** slip-on seal to retain air-tightness class "C" (available as an accessory).
- Made of polypropylene (PP) with thermoplastic elastomer (SEBS).
- Operating temperature: from -20 to +60 °C.

Dimensions [mm]	Ø d (inner)	H	L	W
BlauFast SR 150/90x12 50P	138	140	845	496
BlauFast SR 160/90x12 50P	148	140	845	496
BlauFast SR 200/90x12 50P	188	140	845	496



Blauberg Ventilatoren GmbH
Aidenbachstr. 52
D-81379 Munich

info@blaubergventilatoren.de
www.blaubergventilatoren.de

Technical changes reserved.
Illustrations and texts are non-binding.

05/2021