



# **CLEANBOX**

Data sheet Version 1.0



# Cleanbox

## Filter Box

### USE

- For purification of supply air in ventilation and air conditioning systems installed in various premises
- Compatible with Ø125 up to 200 mm round air ducts.
- Suitable for limited mounting space.



### DESIGN

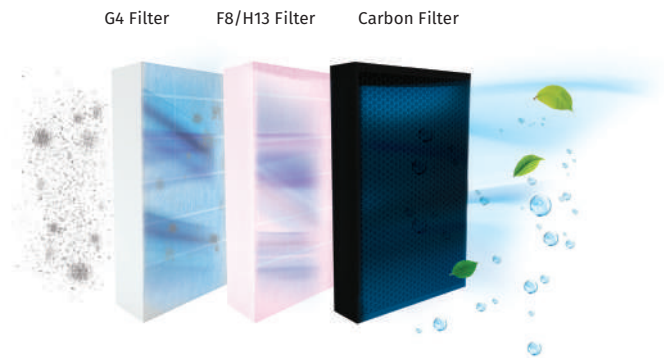
- The casing is made of polymer-coated steel.
- Easy access for filter maintenance.

### MOUNTING

- Due to compact design is the ideal solution for mounting in limited spaces, including the space behind false ceiling.
- Any mounting position.
- Wall or ceiling mounting with fixing brackets supplied as a standard.

### AIR FILTRATION

- Built-in filters provide efficient air filtration. Up to three filters can be installed into the casing.
- G4 filter provides primary filtration. At the second stage, the secondary filter F8. F8 filter arrests up to 98 % of PM 2.5 dust particles. For additional elimination of odors and gases carbon filter can be installed.
- Quick access to replaceable filters through service panel.



### Designation key

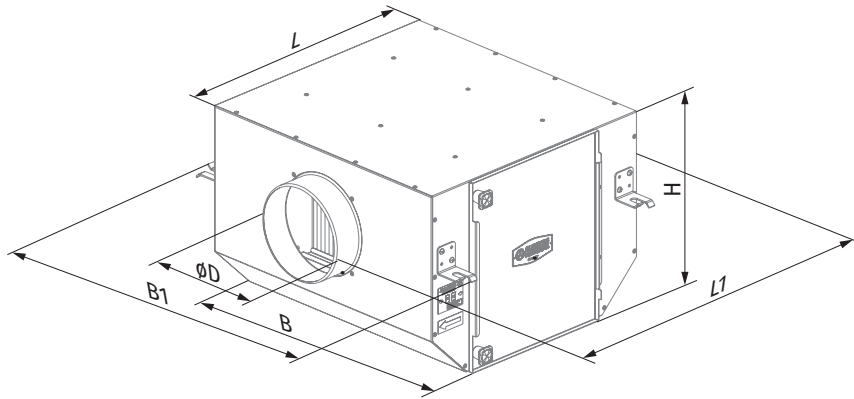
Series	Duct diameter [mm]	Filters
CleanBox	125; 150; 200	F8-Carbon

### Accessories

Air disc valves	Duct system	Flexible air ducts	Grilles and hoods	Clamps K, KZ
VPR, VSR, VMR	BlauPlast	BlauFlex	Decor, GM	K, KZ

### OVERALL DIMENSIONS

Type	ØD	L	H	B	L1	B1	L2	B2	Weight [kg]
CleanBox 100 G4-F8-Carbon	125	413.5	249	415	513.5	508	358.5	458	8.17
CleanBox 150 G4-F8-Carbon	150	413.5	299	440	513.5	508	358.5	483	9.04
CleanBox 200 G4-F8-Carbon	200	413.5	299	605	513.5	508	358.5	648	11.84



### REPLACEBLE FILTERS

	CleanBox 100 (ES*)	CleanBox 150 (ES*)	CleanBox 200 (ES*)
G4 Panel filter	FP 220x400x47 G4	FP 270x425x47 G4	FP 270x590x47 G4
F8 Panel filter	FP 220x400x47 F8	FP 270x425x47 F8	FP 270x590x47 F8
Carbon panel filter	FP 220x400x47 C	FP 270x425x47 C	FP 270x590x47 C

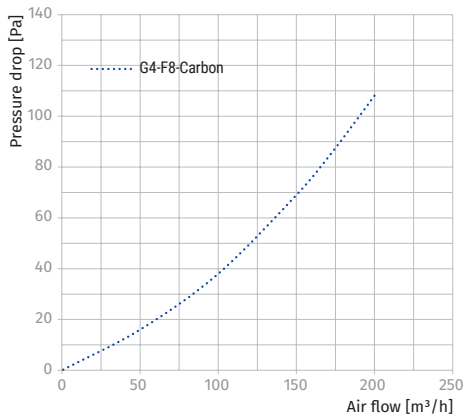
\* By default models with electrostatic filters ES are equipped with pre-filters G4. The G4 filter can be replaced by either F8, H13 or a carbon filter on request.

### APPLICATION

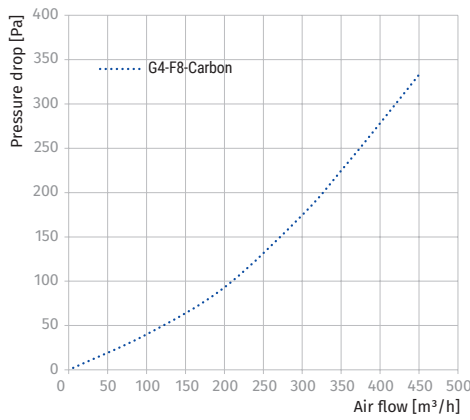


**TECHNICAL DATA**

**CLEANBOX 125**



**CLEANBOX 150**



**CLEANBOX 200**

