

Aventa Turbo

Domestic and light commercial facilities



Key Features

- In-Line centrifugal fan
- Flow rates up to 1325 m³/hr
- Designed for ventilation of medium and large size facilities
- Horizontal or vertical mounting
- Supply or extract air
- High strength plastic body
- Higher pressure capability for longer ducts
- External rotor motor with ball-bearings with thermal protection
- Complete with mounting bracket
- Balanced impeller
- IPX4 rating
- Complies with Building Regulations
- 3 year warranty

Aventa Turbo

Highly reliable and powerful fan in a modular design for ease of installation and maintenance. The Aventa Turbo series are designed to provide ventilation levels that comply with the latest Building Regulations. Works particularly well against higher system pressure.

Operated by basic switching (switch not supplied), these fans can be installed in loft spaces or service shafts for remote extraction with minimal room noise.

The extensive range of Aventa Turbo fans provide compact, quiet and powerful remote mounted ventilation for ducted installations. Fans can be mounted vertically, horizontally or at an inclined angle for versatility of installation.



Model

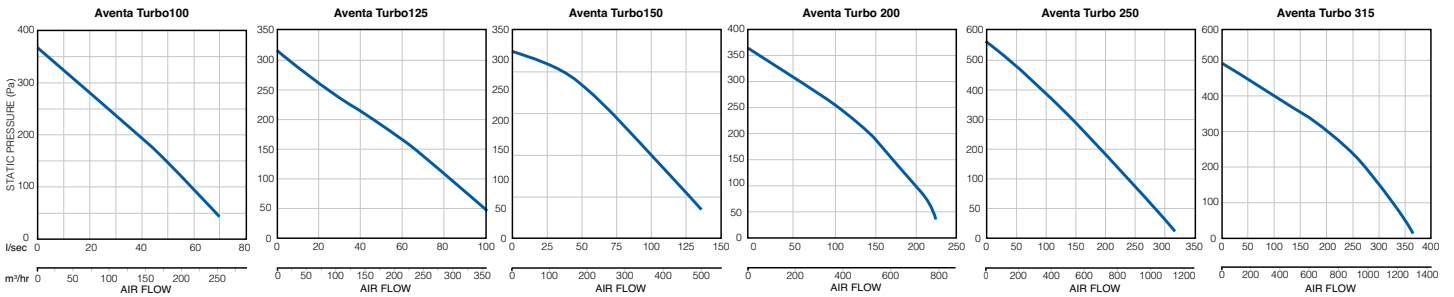
Basic Control by basic switching (switch not included)



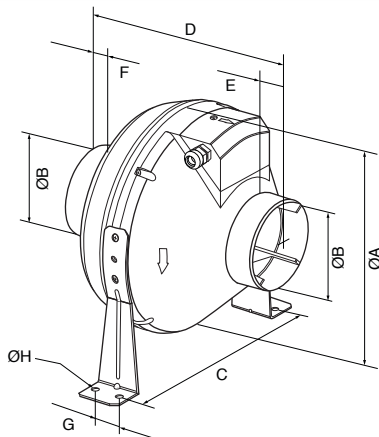
Technical Data

Specification	Aventa Turbo 100B	Aventa Turbo 125B	Aventa Turbo 150B	Aventa Turbo 200B	Aventa Turbo 250B	Aventa Turbo 315B
Air flow m ³ /hr / l/sec	250 / 69	355 / 98	460 / 127	780 / 216	1080 / 300	1340 / 372
Fan type	Centrifugal	Centrifugal	Centrifugal	Centrifugal	Centrifugal	Centrifugal
Controls	Basic	Basic	Basic	Basic	Basic	Basic
Mounting	In-Line	In-Line	In-Line	In-Line	In-Line	In-Line
Sound Pressure dB(A)@3m	46	46	46	48	50	50
Power watts	80	79	80	107	173	200
Amps	0.34	0.34	0.35	0.47	0.76	0.88
Building Regulations ADF	Yes	Yes	Yes	Yes	Yes	Yes
Duct diameter (mm)	100	125	150	200	250	315
Voltage	230v / 1ph / 50Hz	230v / 1ph / 50Hz	230v / 1ph / 50Hz	230v / 1ph / 50Hz	230v / 1ph / 50Hz	230v / 1ph / 50Hz
Rating	IPX4	IPX4	IPX4	IPX4	IPX4	IPX4
Material finish	Plastic	Plastic	Plastic	Plastic	Plastic	Plastic
Weight (kg)	2.15	2.2	2.4	3.0	4.3	4.8
Dimensions (H x W x D) mm	250 x 270 x 230	250 x 270 x 220	300 x 310 x 286	340 x 354 x 276	340 x 354 x 265	400 x 414 x 276
Part No.	9041360	9041361	9041362	9041363	9041364	9041365

Performance



Dimensions (mm)



Model	A	B	C	D	E	F	G	H	Dimensions
AVT 100B	100	250	270	230	30	27	30	6	250x270x230
AVT 125B	125	250	270	220	30	27	30	6	250x270x230
AVT 150B	150	300	310	286	30	30	30	6	300x310x286
AVT 200B	200	340	354	276	30	30	40	6	340x354x276
AVT 250B	250	340	354	265	30	30	40	6	340x354x265
AVT 315B	315	400	414	276	40	55	40	6	400x414x276

Controls and Accessories

A range of accessories including flexible and rigid ducting kits, controls, switches and grilles are available.

Call: 01494 560800 **Visit: airflow.com**



Airflow Developments Limited
Aidelle House, Lancaster Road,
Cressex Business Park,
High Wycombe, Buckinghamshire,
United Kingdom, HP12 3QP

E-mail: info@airflow.com
Telephone: +44 (0) 1494 525252
airflow.com

© Airflow Developments Limited. Airflow Developments Limited reserve the right, in the interests of continuous development, to alter specifications without prior notice. All orders are accepted subject to our conditions of sale which are available on request.

