

Digital flush-mounted light sensor

Item no.: 9070456

theben

Accessories
Others

Description

- Spring terminals
- Protection class IP 66 (Front) | IP 40 (Back)



Subject to technical changes and misprints
additional information at: www.theben.de/product/9070456

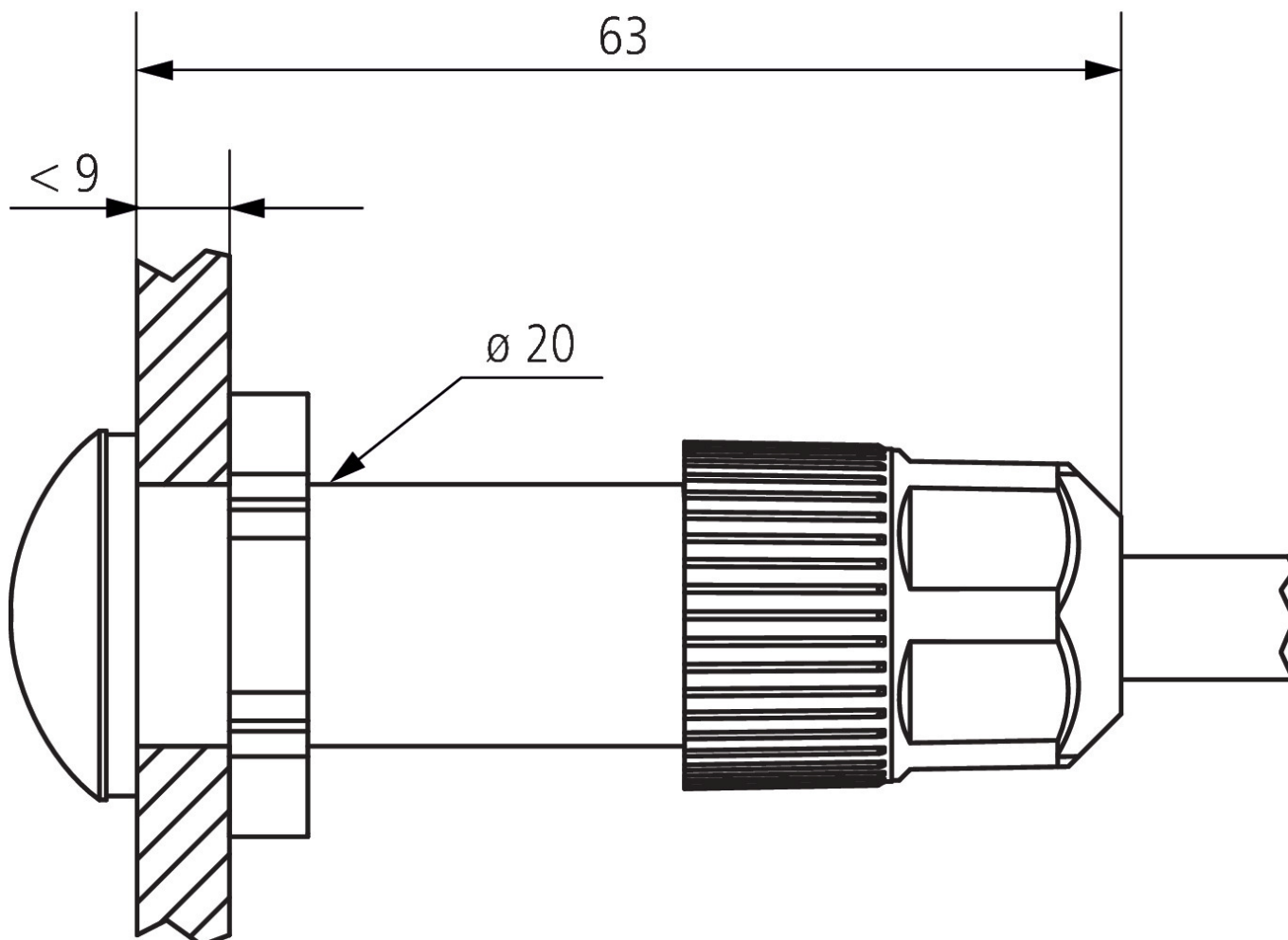
The load data are determined with exemplary selected illuminants and are therefore typical data due to the large number of available products.

Digital flush-mounted light sensor

Item no.: 9070456

theben

Scale drawings



Subject to technical changes and misprints

additional information at: www.theben.de/product/9070456

The load data are determined with exemplary selected illuminants and are therefore typical data due to the large number of available products.

06/08/2022

Page 2 of 2