

Motion detector

# IS 130-2

Anthracite

EAN 4007841 035761

Article number 035761



Targeted detection all around the building. Infrared motion detector IS 130-2, for indoors and out, ideal for targeted detection close to the building, 130° angle of coverage, reach up to 12 m, selectable time and twilight threshold, sensor turns through 50° and tilts through 90° for exact adjustment of the detection zone.

## Motion detector

# IS 130-2

Anthracite

EAN 4007841 035761

Article number 035761



### Technical specifications

Type	Motion detectors	Fluorescent lamps, electronic ballast	430 W
Dimensions (L x W x H)	87 x 78 x 110 mm	Fluorescent lamps, uncorrected	500 VA
Mains power supply	230 – 240 V / 50 Hz	Fluorescent lamps, series-corrected	500 VA
Sensor Technology	passive infrared	Fluorescent lamps, parallel-corrected	500 VA
Application, place	Outdoors, Indoors	Switching output 1, low-voltage halogen lamps	500 VA
Installation site	wall	LED lamps	16 W
Installation	Surface wiring	LED lamps > 2 W	64 W
Mounting height	1,80 – 3,00 m	LED lamps > 8 W	64 W
Reach, radial	r = 3 m (10 m <sup>2</sup> )	Capacitive load in µF	88 µF
Reach, tangential	r = 12 m (163 m <sup>2</sup> )	Constant-lighting control	No
Detection angle	130 °	Basic light level function	No
Angle of aperture	40 °	Settings via	Potentiometers
Switching zones	260 switching zones	With remote control	No
Optimum mounting height	2 m	Interconnection	Yes
Mechanical scalability	No	Type of interconnection	Master/master
Sneak-by guard	Yes	IP-rating	IP54
Capability of masking out individual segments	Yes	Material	Plastic
Electronic scalability	No	Ambient temperature	-20 – 50 °C
Twilight setting TEACH	No	Application, room	outdoors, front door, all round the building, terrace / balcony, courtyard & driveway
Twilight setting	2 – 2000 lx	Colour	Anthracite
Time setting	8 s – 35 Min.	Colour, RAL	7016
Output	600 W	Manufacturer's Warranty	3 years
Switching output 1, resistive	600 W	Version	Anthracite
Switching output 1, number of LEDs / fluorescent lamps	4 pcs.	PU1, EAN	4007841035761

Motion detector

# IS 130-2

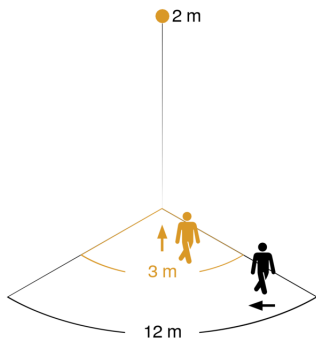
Anthracite

EAN 4007841 035761

Article number 035761



### Detection Zone

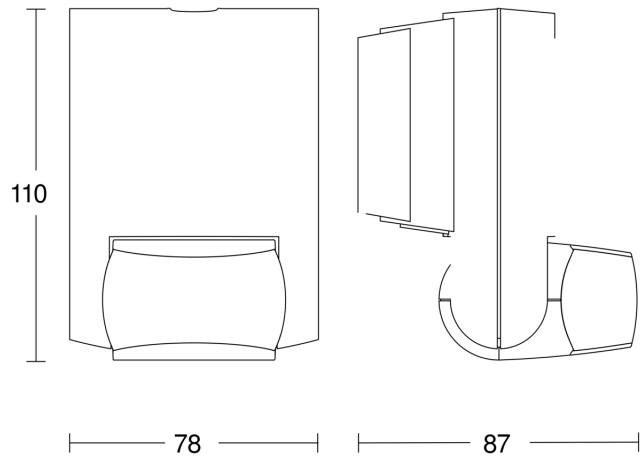


Mögliche Montagehöhe: 1,80 m – 3,00 m

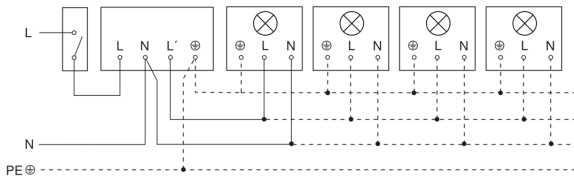
Orange: radial

Schwarz: tangential

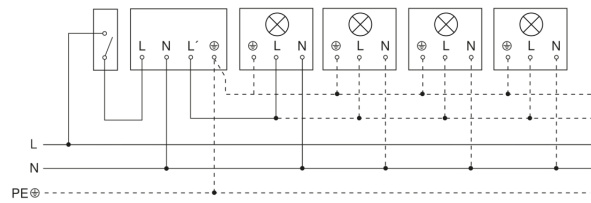
### Dimension Drawing



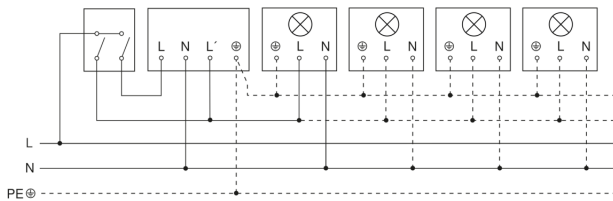
### Light without neutral conductor



### Light with neutral conductor



### Connection using two-circuit switch for manual and automatic operation



### Connection via a two-way switch for manual override and automatic operation

