

Sensor-switched outdoor light

L 190 S

white
EAN 4007841 644512
Article number 644512



Max. 100 W									3 years
max. 100 W E27	infrared sensor 180°	max. 12 m	IP44	2 - 2000 lux	5 sec - 15 min	manual override 4h	ideal 2 m	energy saving	manufacturer's warranty steinel.de/ garantie3y

Function description

Timelessly elegant in every detail. Classic outdoor SensorLight L 190 S, ideal for prestigious outdoor spaces, 180° angle of coverage, reach can be set up to 12 m or up to 5 m, durable, lavishly ornamented die-cast aluminium, basic light-level function and soft light start.

Technical specifications

Dimensions (L x W x H)	147 x 217 x 335 mm	Sneak-by guard	Yes
With lamp	No	Capability of masking out individual segments	Yes
Manufacturer's Warranty	3 years	Electronic scalability	No
Settings via	Potentiometers	Mechanical scalability	No
With remote control	No	Reach, radial	r = 5 m (39 m ²)
Version	white	Reach, tangential	r = 12 m (226 m ²)
PU1, EAN	4007841644512	Photo-cell controller	Yes
Application, place	Outdoors	Cover material	shrouds
Application, room	outdoors, front door, all round the building, terrace / balcony, courtyard & driveway	Lamp	All-purpose lamp
Installation site	wall	Base	E27
Impact resistance	IK03	Soft light start	Yes
IP-rating	IP44	Continuous light	selectable, 4h
Protection class	II	Twilight setting	2 – 200 lx
Ambient temperature	-20 – 40 °C	Time setting	5 s – 15 Min.
Housing material	Aluminium	Basic light level function	Yes
Cover material	Glass transparent	Interconnection	No
		Basic light level function in per cent	0 – 50 %

Sensor-switched outdoor light

L 190 S

white
EAN 4007841 644512
Article number 644512



Technical specifications

Mains power supply	230 – 240 V / 50 Hz	Basic light level function percentage, from	0 %
Output	100 W	Basic light level function percentage, up to	50 %
Power consumption	0,8 W	Optimum mounting height	2 m
Mounting height max.	4,00 m	Detection angle	180 °
Slave modeselectable	No		

Accessories

EAN 4007841 000813	Glass set for L 190 S
EAN 4007841 002190	Replacement base unit for L 170 / L 190 S

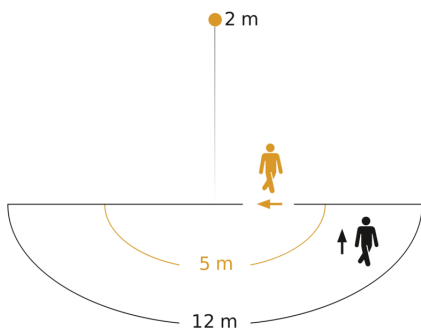
Sensor-switched outdoor light

L 190 S

white
EAN 4007841 644512
Article number 644512

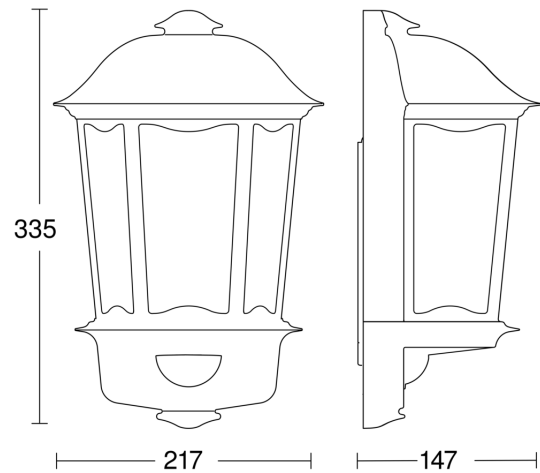


Detection Zone



Possible mounting height: 1,80 m - 4,00 m
Orange: radial
Black: tangential

Dimension Drawing



Circuit diagram

