

## Motion detector

# IS 240 DUO

white  
EAN 4007841 602819  
Article number 602819



infrared sensor  
240°



max. 12 m

1000 W

1000 W max. (LED-  
ready)



IP54



Sensor 160°  
horizontal



2 - 2000 lux



10 sec - 15 min



Ideal 2 m



energy saving

3 years

manufacturer's  
warranty  
steinel.de/  
garantie3y

## Function description

Round the corner. Infrared wall sensor IS 240 DUO, for indoors and out, 240° angle of coverage, reach up to 12 m, selectable time and twilight threshold, detection zone can be customised with shrouds.

## Technical specifications

Dimensions (L x W x H)	100 x 60 x 90 mm	LED lamps < 2 W	16 W
Manufacturer's Warranty	3 years	LED lamps > 2 W < 8 W	64 W
Settings via	Potentiometers	LED lamps > 8 W	64 W
With remote control	No	Capacitive load in µF	132 µF
Version	white	Technology, sensors	passive infrared, Light sensor
PU1, EAN	4007841602819	Mounting height	1,80 – 4,00 m
Type	Motion detectors	Mounting height max.	4,00 m
Application, place	Indoors, Outdoors	Optimum mounting height	2 m
Application, room	outdoors, front door, all round the building, terrace / balcony, courtyard & driveway	Detection angle	240 °
Colour	white	Angle of aperture	180 °
Colour, RAL	9010	Sneak-by guard	Yes
Includes corner wall mount	Yes	Capability of masking out individual segments	Yes
Installation site	wall, corner	Electronic scalability	No
Installation	Surface wiring, Wall, corner	Mechanical scalability	No
IP-rating	IP54	Reach, radial	r = 5 m (52 m <sup>2</sup> )
Protection class	II	Reach, tangential	r = 12 m (302 m <sup>2</sup> )
		Switching zones	276 switching zones

<https://www.steinel.de>

Subject to technical modifications

04.2023 Page 1 from 3

Motion detector

# IS 240 DUO

white

EAN 4007841 602819

Article number 602819



## Technical specifications

Ambient temperature	-20 – 50 °C
Material	Plastic
Mains power supply	230 – 240 V / 50 Hz
Switching output 1, resistive	1000 W
Switching output 1, number of LEDs / fluorescent lamps	6 pcs.
Fluorescent lamps, electronic ballast	1000 W
Fluorescent lamps, uncorrected	500 VA
Fluorescent lamps, series-corrected	500 VA
Fluorescent lamps, parallel-corrected	5000 VA
Switching output 1, low-voltage halogen lamps	1000 VA

Twilight setting	2 – 2000 lx
Time setting	10 s – 15 Min.
Basic light level function	No
Main light adjustable	No
Twilight setting TEACH	No
Constant-lighting control	No
Interconnection	Yes
Type of interconnection	Master/master
Interconnection via	Cable

## Accessories

EAN 4007841 630218

Corner wall mount 01

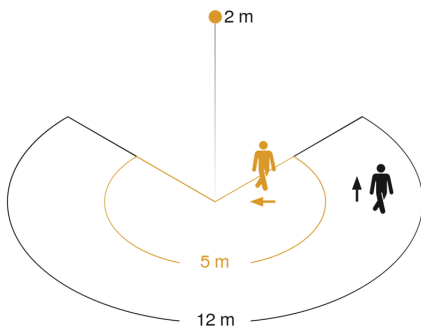
Motion detector

# IS 240 DUO

white  
EAN 4007841 602819  
Article number 602819

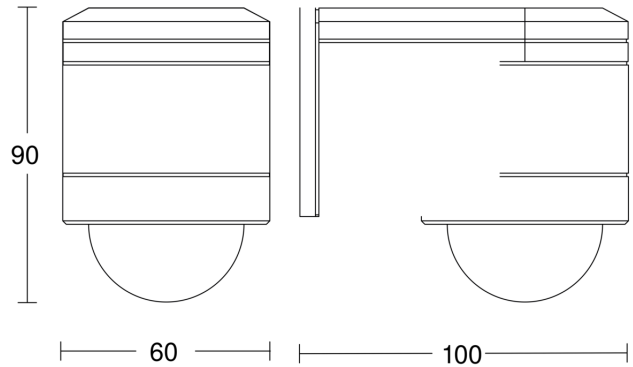


### Detection Zone

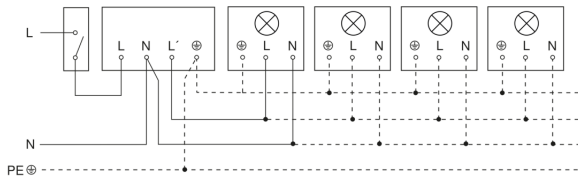


Possible mounting height: 1,80 m– 4,00 m  
Orange: radial  
Black: tangential

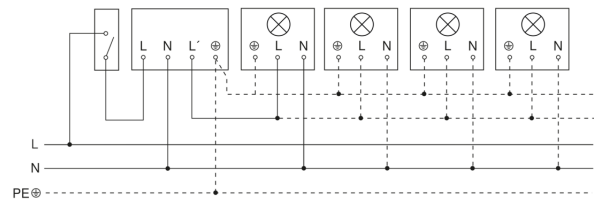
### Dimension Drawing



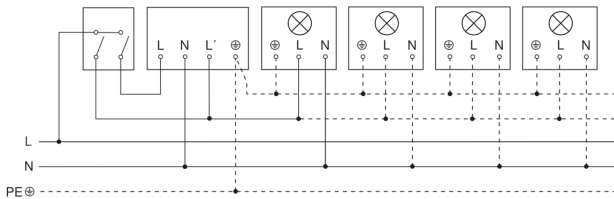
### Light without neutral conductor



### Light with neutral conductor



### Connection using two-circuit switch for manual and automatic operation



### Circuit diagram Connection via a changeover switch for continuous and automatic operation

