

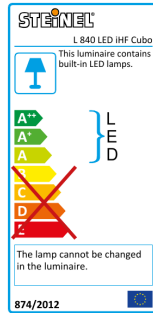
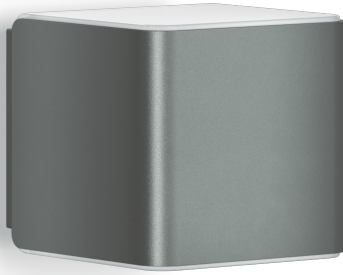
Sensor-switched LED outdoor light

L 840 LED iHF

Anthracite

EAN 4007841 055530

Article number 055530



Digital. Interconnected. Intelligent. The L 830/835/840 LED iHF range of sensor-switched lights captivates with a classy look and embellishes any building. With concealed 160° iHF sensor (5 m reach) that only responds to human movement. Night-light function, soft light start and 4-hour manual override (3000 K). Wireless interconnection via Bluetooth, any chosen settings via STEINEL app. Three design options. Available in anthracite or silver.

L 840 LED iHF

Anthracite

EAN 4007841 055530

Article number 055530



Technical specifications

| | |
|---|---|
| Dimensions (L x W x H) | 134 x 110 x 110 mm |
| Mains power supply | 220 – 240 V / 50 – 60 Hz |
| Mounting height max. | 2,50 m |
| Sensor Technology | iHF (intelligent high-frequency technology) |
| Transmitter power | |
| Output | 9,5 W |
| Interconnection | Yes |
| Type of interconnection | Master/slave |
| Slave mode/selectable | Yes |
| Luminous flux | 360 lm |
| Efficiency | 39 lm/W |
| Colour temperature | 3000 K |
| Colour variation LED | SDCM3 |
| Farbwiedergabeindex | 80-89 |
| With lamp | Yes, STEINEL LED system |
| Lamp | LED cannot be replaced |
| LED life expectancy (max. °C) | 50000 h |
| Base | without |
| LED cooling system | Passive Thermo Control |
| With motion detector | Yes |
| Detection angle | 160 ° |
| Angle of aperture | 160 ° |
| Sneak-by guard | Yes |
| Capability of masking out individual segments | Yes |
| Electronic scalability | Yes |

| | |
|---------------------------------|-------------------------------------|
| Mechanical scalability | No |
| Reach, detail | Detection zone adjustable on 2 axes |
| Reach, radial | r = 5 m (35 m ²) |
| Reach, tangential | r = 5 m (35 m ²) |
| Photo-cell controller | Yes |
| Twilight setting | 2 – 2000 lx |
| Time setting | 5 s – 15 Min. |
| Basic light level function | Yes |
| Basic light level function time | 10/30 min, all night |
| Main light adjustable | 10 - 100 % |
| Soft light start | Yes |
| Continuous light | selectable, 4h |
| Impact resistance | IK03 |
| IP-rating | IP44 |
| Protection class | II |
| Ambient temperature | -20 – 40 °C |
| Transmitter range | 30 m |
| Housing material | Plastic |
| Cover material | Plastic, opal |
| Manufacturer's Warranty | 3 years |
| Settings via | Bluetooth, Potentiometers |
| With remote control | No |
| Version | Anthracite |
| PU1, EAN | 4007841055530 |

Sensor-switched LED outdoor light

L 840 LED iHF

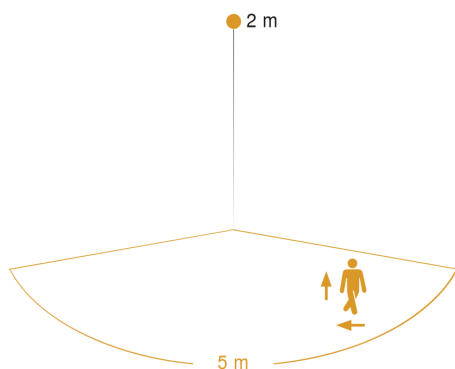
Anthracite

EAN 4007841 055530

Article number 055530

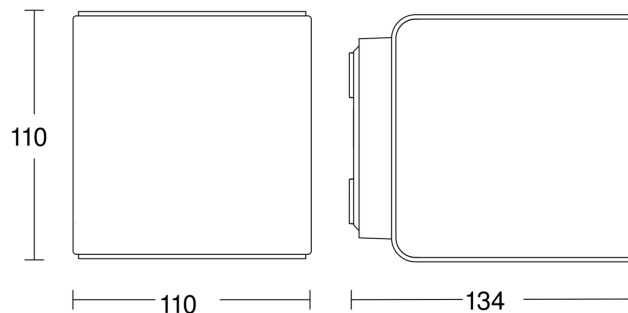


Detection Zone

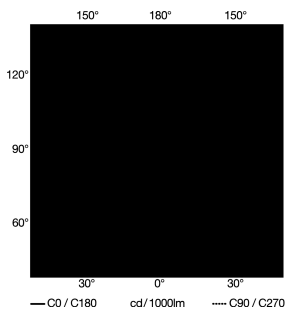


Mögliche Montagehöhe: 1,80 m – 2,50 m
Orange: radial und tangential

Dimension Drawing

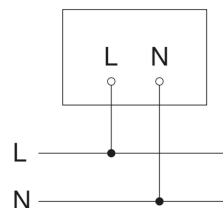


Light Distribution Curve



| | |
|-------------------------------|-------------------------|
| Output | 9,5 W |
| With lamp | Yes, STEINEL LED system |
| Lamp | LED cannot be replaced |
| Luminous flux | 360 lm |
| Colour temperature | 3000 K |
| Farbwiedergabeindex | 80-89 |
| LED life expectancy (max. °C) | 50000 h |
| LED cooling system | Passive Thermo Control |

Master/slave interconnection circuit diagram



Sensor-switched LED outdoor light

L 840 LED iHF

Anthracite

EAN 4007841 055530

Article number 055530



Master/master interconnection circuit diagram

