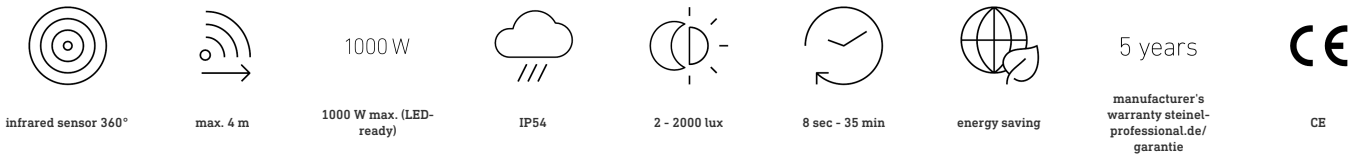


IS 2360 DE ECO 8m

white
 EAN 4007841 034733
 Article number 034733



Function description

Intelligent technology for installation. Infrared wall sensor IS 2360 DE ECO, for indoors and out, ideal for installing in projecting roofs and suspended ceilings, 360° angle of coverage, reach can be set up to 8 m in diameter, selectable time and twilight threshold, detection zone can be customised with shrouds.

Technical specifications

Dimensions (Ø x H)	78 x 89 mm	LED lamps < 2 W	16 W
With motion detector	Yes	LED lamps > 2 W < 8 W	64 W
Manufacturer's Warranty	5 years	LED lamps > 8 W	64 W
Settings via	Potentiometers	Capacitive load in µF	132 µF
With remote control	No	Technology, sensors	passive infrared, Light sensor
Version	white	Mounting height	2,2 – 4 m
PU1, EAN	4007841034733	Mounting height max.	4,00 m
Type	Motion detectors	Optimum mounting height	2,5 m
Application, place	Outdoors, Indoors	Detection angle	360 °
Application, room	corridor / aisle, changing room, function room / ancillary room, kitchenette, stairwell, WC / washroom, outdoors, front door, all round the building, terrace / balcony, Indoors	Angle of aperture	180 °
Colour	white	Sneak-by guard	Yes
Colour, RAL	9010	Capability of masking out individual segments	Yes
Includes corner wall mount	No	Electronic scalability	No
Installation site	ceiling	Mechanical scalability	No
		Reach, radial	Ø 4 m (13 m ²)
		Reach, tangential	Ø 8 m (50 m ²)

IS 2360 DE ECO 8m

white
 EAN 4007841 034733
 Article number 034733



Technical specifications

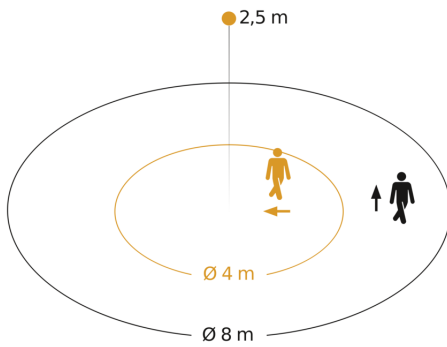
Installation	In-ceiling installation, Ceiling
IP-rating	IP54
Protection class	II
Ambient temperature	-20 – 40 °C
Material	Plastic
Mains power supply	220 – 240 V / 50 – 60 Hz
Switching output 1, number of LEDs / fluorescent lamps	6 pcs.
Fluorescent lamps, electronic ballast	430 W
Fluorescent lamps, uncorrected	500 VA
Fluorescent lamps, series-corrected	406 VA
Fluorescent lamps, parallel-corrected	406 VA
Switching output 1, low-voltage halogen lamps	1000 VA

Cover material	shrouds
Twilight setting	2 – 2000 lx
Time setting	8 s – 35 Min.
Basic light level function	No
Main light adjustable	No
Twilight setting TEACH	No
Constant-lighting control	No
Interconnection	Yes
Type of interconnection	Master/master
Interconnection via	Cable

IS 2360 DE ECO 8m

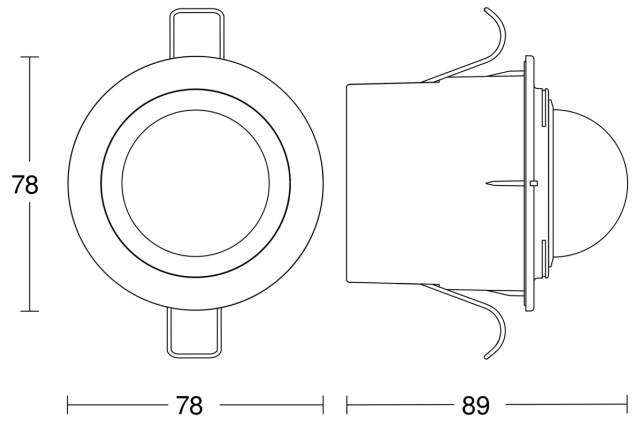
white
EAN 4007841 034733
Article number 034733

Detection Zone



Possible mounting height: 2,20 m – 4,00 m
Orange: radial
Black: tangential

Dimension Drawing



Circuit diagram

