

Motion detector

IS 360-3

white
 EAN 4007841 006532
 Article number 006532



infrared sensor
 360°



max. 12 m

2000 W

2000 W max. (LED-ready)



IP54



2 - 1000 lux



5 sec - 15 min



Ideal 2 m



energy saving

3 years

manufacturer's warranty
steinel.de/
 garantie3y



CE

Function description

The multi-talent for indoors and outdoors. Infrared wall sensor IS 360-3, ideal for mounting under soffits, in carports, on large building facades and driveways, 3 pyro sensors for a 360° angle of coverage, reach can be set up to 12 m, selectable time and twilight threshold, detection zone can be customised with shrouds.

Technical specifications

Dimensions (Ø x H)	121 x 57 mm
Manufacturer's Warranty	3 years
Settings via	Potentiometers
With remote control	No
Version	white
PU1, EAN	4007841006532
Type	Motion detectors
Application, place	Outdoors, Indoors
Application, room	outdoors, all round the building, Indoors
Colour	white
Colour, RAL	9010
Includes corner wall mount	No
Installation site	ceiling
Installation	Surface wiring, Ceiling
IP-rating	IP54
Protection class	II

LED lamps < 2 W	100 W
LED lamps > 2 W < 8 W	300 W
LED lamps > 8 W	600 W
Capacitive load in µF	176 µF
Technology, sensors	passive infrared, Light sensor
Mounting height	2,50 – 6,00 m
Mounting height max.	6,00 m
Optimum mounting height	2,8 m
Detection angle	360 °
Angle of aperture	90 °
Sneak-by guard	Yes
Capability of masking out individual segments	Yes
Electronic scalability	No
Mechanical scalability	No
Reach, radial	Ø 6 m (28 m²)
Reach, tangential	Ø 24 m (452 m²)

<https://www.steinel.de>

Motion detector

IS 360-3

white
EAN 4007841 006532
Article number 006532



Technical specifications

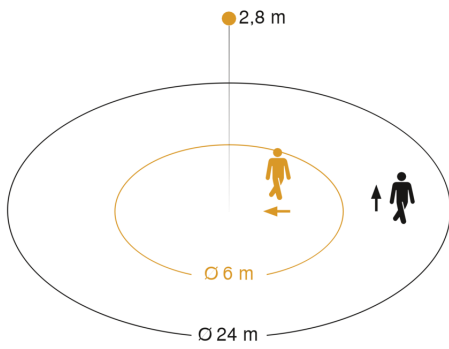
Ambient temperature	-20 – 50 °C	Switching zones	972 switching zones
Material	Plastic	Twilight setting	2 – 1000 lx
Mains power supply	220 – 240 V / 50 – 60 Hz	Time setting	5 s – 15 Min.
Switching output 1, resistive	2000 W	Basic light level function	No
Switching output 1, number of LEDs / fluorescent lamps	8 pcs.	Main light adjustable	No
Fluorescent lamps, electronic ballast	1500 W	Twilight setting TEACH	No
Fluorescent lamps, uncorrected	500 VA	Constant-lighting control	No
Fluorescent lamps, series-corrected	900 VA	Interconnection	Yes
Fluorescent lamps, parallel-corrected	400 VA	Type of interconnection	Master/master
Switching output 1, low-voltage halogen lamps	2000 VA	Interconnection via	Cable

Motion detector

IS 360-3

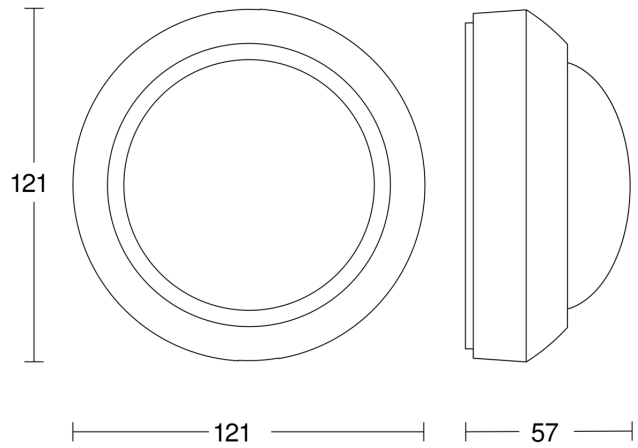
white
EAN 4007841 006532
Article number 006532

Detection Zone

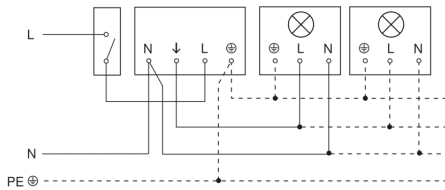


Possible mounting height: 2,50 m– 6,00 m
Orange: radial
Black: tangential

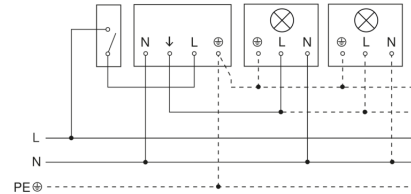
Dimension Drawing



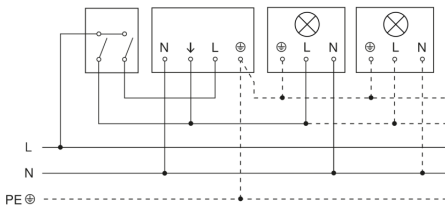
Light without neutral conductor



Light with neutral conductor



Connection using two-circuit switch for manual and automatic operation



Circuit diagram Connection via a changeover switch for continuous and automatic operation

