

# Technical Data Sheet

CODE 42366

## A-E 566 T

Compact plate axial fans



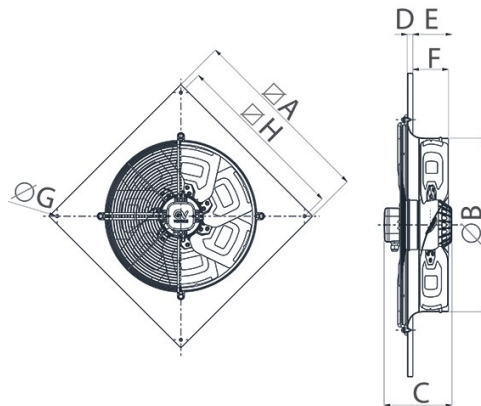
### Certifications



### TECHNICAL AND PERFORMANCE DATA

Absorbed Current max (A)	1.06	Voltage (V)	380-415
Absorbed Power max (W)	480	Weight (Kg)	20.8
Frequency (Hz)	50	Delivery max (l/s)	2236
Insulation Class	I°	Delivery max (m³/h)	8050
IP	54	Pressure max - max speed (mmH20)	17,8
Max ambient temperature for continuous operation (°C)	50	Pressure max (Pa)	175
Motor IP protection	54	RPM	1000
Nominal Diameter (mm)	560	Sound power level Lw [dB(A)]	77.2
Number of Phases (Ph)	3	Sound pressure level Lp in free field [dB(A)] 1 m	66.2
Number of Poles	6	Sound pressure level Lp in free field [dB(A)] 3 m	56.7

### DIMENSIONS



Size A (mm)	725
Size B (mm)	563
Size C (mm)	218
Size D (mm)	16
Size E (mm)	131
Size F (mm)	105
Size G (mm)	11
Size H (mm)	675

#### PER INFORMAZIONI:

Servizio al Cliente: tel +39 02 90699395 premendo 1 dopo messaggio registrato (consulenza su prodotti e impianti)

Pre & Post Vendita: fax +39 02 90699302

Email prevendita: prevendita@vortice-italy.com

# Technical Data Sheet

CODE 42366

## A-E 566 T

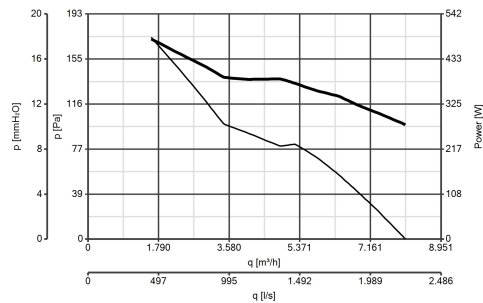
Compact plate axial fans



### DESCRIPTION

- Compact plate axial fans.
- Three-phase model.
- Phosphated sheet steel panels, painted with epoxy powder, in grey with a hammered effect, resistant to atmospheric agents.
- Thermo-protected AC motor class F with external rotor, one speed, equipped with ball bearings.
- High aeraulic performance impellers with electro-galvanised sheet steel blades, painted with polyester paint, in black. 4 blades.
- Low noise levels.
- Support grilles offering accident protections and functioning as an anti-bird guards, in electro-welded steel rings painted with black epoxy paint, easy to remove for maintenance.
- Wide range of continuous operation temperatures between -30°C and +50°C.
- Electric supply 400 V / 50 Hz for single phase models.
- Protection motor: IP54.
- Insulation class: I.
- **Conforms to the requirements of the regulation N° 327/2011/UE (Lot 11, 1st Tier) set out by the EUP/ErP Directive, effective as of 01.01.2013.**

### CURVES



### ACCESSORIES



#### IRT 35

Code 12924



#### IRET INVERTER

2,5 M

Code 12816

#### PER INFORMAZIONI:

Servizio al Cliente: tel +39 02 90699395 premendo 1 dopo messaggio registrato (consulenza su prodotti e impianti)

Pre & Post Vendita: fax +39 02 90699302

Email prevendita: prevendita@vortice-italy.com