

# Technical Data Sheet

CODE 42208

## A-E 254 M

Compact plate axial fans



### Certifications



CE

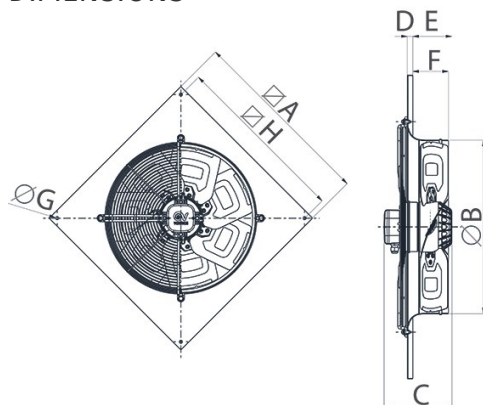


EAC

### TECHNICAL AND PERFORMANCE DATA

Absorbed Current max (A)	0,17	Voltage (V)	220-240
Absorbed Power max (W)	38	Weight (Kg)	2,1
Frequency (Hz)	50	Delivery max (l/s)	212
Insulation Class	I°	Delivery max (m³/h)	764
IP	54	Pressure max - max speed (mmH20)	6,0
Max ambient temperature for continuous operation (°C)	50	Pressure max (Pa)	61,0
Nominal Diameter (mm)	250	RPM	1400
Number of Phases (Ph)	1	Sound power level Lw [dB(A)]	59,0
Number of Poles	4	Sound pressure level Lp in free field [dB(A)] 1 m	48,0
		Sound pressure level Lp in free field [dB(A)] 3 m	38,5

### DIMENSIONS



Size A (mm)	320
Size B (mm)	264
Size C (mm)	149
Size D (mm)	10
Size F (mm)	82
Size G (mm)	8
Size H (mm)	280

#### PER INFORMAZIONI:

Servizio al Cliente: tel +39 02 90699395 premendo 1 dopo messaggio registrato (consulenza su prodotti e impianti)

Pre & Post Vendita: fax +39 02 90699302

Email prevendita: prevendita@vortice-italy.com

# Technical Data Sheet

CODE 42208

## A-E 254 M

Compact plate axial fans



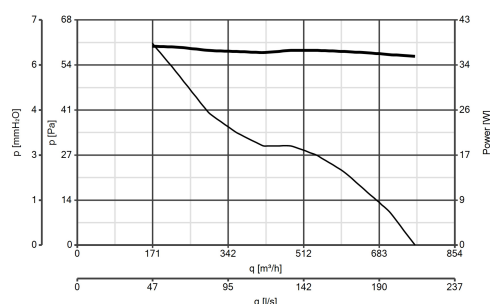
### DESCRIPTION

- Nominal diameter 250 mm
- Panels made of pressed steel, phosphated and epoxy powder coated with hammered effect finish, guaranteeing long-term resistance to atmospheric agents.
- Ventilation port fashioned in one piece with the panel, gauged to optimize air flow, aerodynamically contoured and elongated to optimize performance and facilitate connection to the relative duct.
- Protective grille (in accordance with UNI ISO 13857 standard) combining the function of motor bracket, made of electrically welded steel with epoxy paint finish, colour black. Easy removal simplifies

maintenance and cleaning of the fan.

- 1 speed single phase AC motor of external rotor type designed to minimize axial dimensions, with shaft turning in ball bearings, insulation class F, thermal overload protection.
- Maximum air flow 764 m<sup>3</sup>/h
- Dynamically balanced impeller (UNI ISO 1940, Point 1 - Class 6.3); 5 pressed steel blades, electrolytically galvanized and polyester powder-coated, colour black.
- Vortice speed controller.

### CURVES



### ACCESSORIES



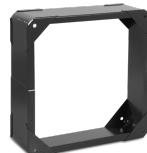
**C 1.5  
(COMANDO EL.  
1.5 A)**

Code 12966



**IREM 3 CD  
99250080**

Code 12931



**DPU 250  
(DISTANZIATORE)**

Code 52151



**PGR 250  
(PERSIANA  
GRAVITA')**

Code 50150



**TRA 250  
(TELAIO CON  
RETE ANTINF.)**

Code 51150



**IREM INVERTER  
4 M**

Code 12815

#### PER INFORMAZIONI:

Servizio al Cliente: tel +39 02 90699395 premendo 1 dopo messaggio registrato (consulenza su prodotti e impianti)

Pre & Post Vendita: fax +39 02 90699302

Email prevendita: prevendita@vortice-italy.com