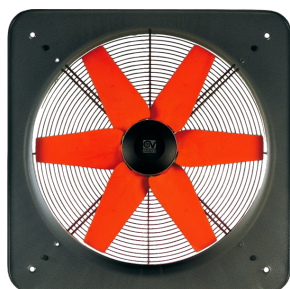


Technical Data Sheet

CODE 40556

E 304 T

Low-pressure plate axial fans



Certifications

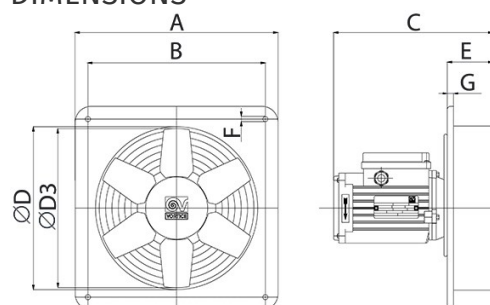
CE CE

EHL EAC

TECHNICAL AND PERFORMANCE DATA

Absorbed Current at 220 V (A)	0,32	Max Temperature of Exhaust Air (Continuous Operation)	50
Absorbed Current at 240 V (A)	0,38	Motor IP protection	44
Absorbed Current at 380 V (A)	0,19	Nominal Diameter (mm)	315
Absorbed Current at 415 V (A)	0,22	Number of Poles	4
Absorbed Current max (A)	0,38	Voltage (V)	220/380 240/415
Absorbed power at 220-380 V (W)	65	Weight (Kg)	3
Absorbed power at 240-415 V (W)	80	Delivery max (l/s)	389
Absorbed Power max (W)	80	Delivery max (m ³ /h)	1400
Frequency (Hz)	50	Pressure max (mmH ₂ O)	8,2
Insulation Class	1°	Pressure max (Pa)	81
Max ambient temperature for continuous operation (°C)	50	RPM	1400
		Sound Pressure level Lp [dB (A)] 3m	53

DIMENSIONS



Diametro \emptyset (mm)	315
Size A (mm)	380
Size B (mm)	330
Size C (mm)	203
Size D (mm)	\emptyset
	308
Size D3 (mm)	\emptyset
	300
Size E (mm)	70
Size F (mm)	8
Size G (mm)	10

PER INFORMAZIONI:

Servizio al Cliente: tel +39 02 90699395 premendo 1 dopo messaggio registrato (consulenza su prodotti e impianti)

Pre & Post Vendita: fax +39 02 90699302

Email prevendita: prevendita@vortice-italy.com

Technical Data Sheet

CODE 40556

E 304 T

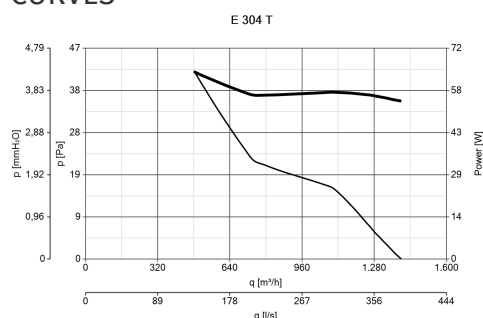
Low-pressure plate axial fans



DESCRIPTION

- Nominal diameter 300 mm
- Wall-mounting panel manufactured from phosphated pressed steel, polyester powder coated with hammered effect finish, guaranteeing long-term resistance to atmospheric agents.
- Ventilation port fashioned in one piece with the panel and gauged to optimize air flow.
- Protective grille (in accordance with UNI ISO 13857 standard) combining the function of motor bracket, made of electrically welded steel with epoxy paint finish, colour black. Easy removal simplifies maintenance and cleaning of the fan.
- 1 speed asynchronous three-phase AC motor with shaft turning in double shielded ball bearings, insulation class F.
- Maximum air flow: 1,400 m³/h.
- Impeller with 6 wing profile blades keyed to a diecast aluminium hub and dynamically balanced (UNI ISO 1940 – Balancing class 6.3), optimized to deliver maximum performance and low noise levels, moulded from filled polypropylene for superior dimensional stability and resistance to atmospheric agents.
- Vortice speed controller.

CURVES



ACCESSORIES



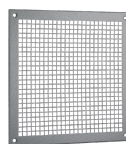
IRT 15

Code 12923



PGR 300 (PERSIANA GRAVITA')

Code 50250



TRA 300 (TELAIO CON RETE ANTINF.)

Code 51250



DPU 300 (DISTANZIATORE)

Code 52251



IRET INVERTER 2,5 M

Code 12816

PER INFORMAZIONI:

Servizio al Cliente: tel +39 02 90699395 premendo 1 dopo messaggio registrato (consulenza su prodotti e impianti)

Pre & Post Vendita: fax +39 02 90699302

Email prevendita: prevendita@vortice-italy.com